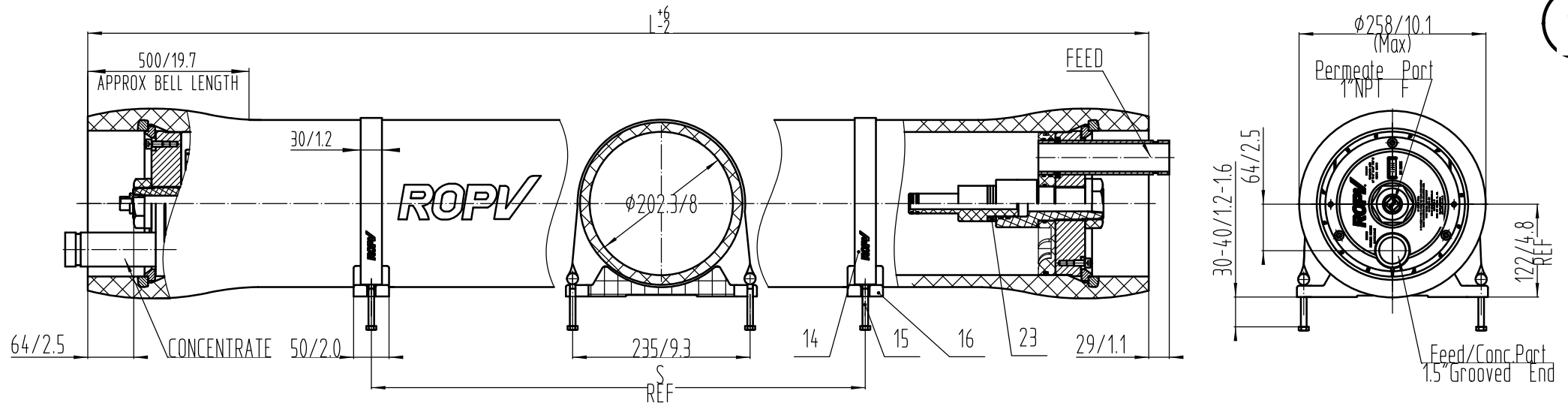
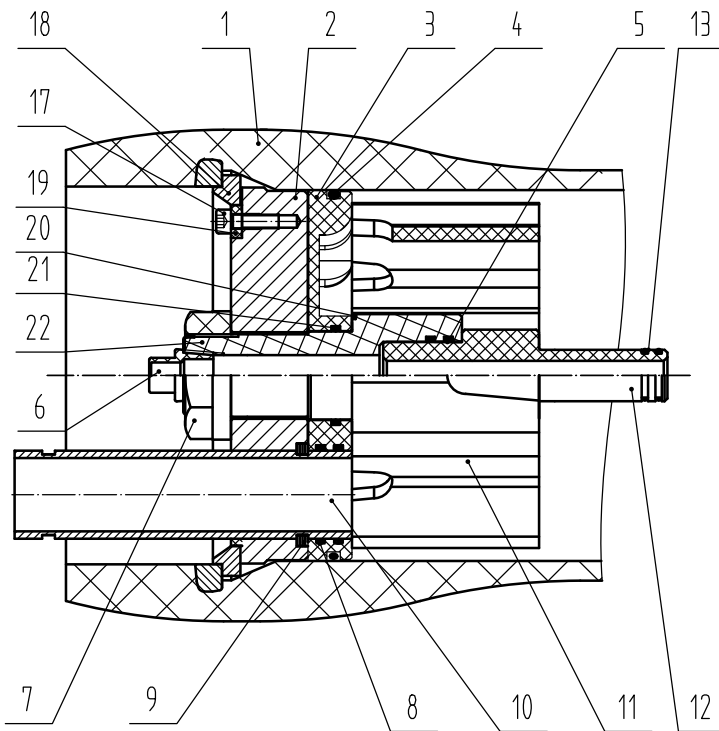


600
PSI



- 1 DESIGN PRESSURE 600PSI(4.1MPa).
- 2 DESIGN TEMPERATURE 150°F(65°C).
- 3 MIN ALLOWABLE TEMPERATURE 14°F(-10°C).
- 4 WORKING MEDIUM,SEA WATER OR BRACKISHWATER,pH RANGE 3-11.
- 5 DIMENSIONS IN MM(INCHES APPROX).
- 6 INTERNAL PERMEATE PRESSURE NOT TO EXCEED 125PSI(0.88Mpa).
- 7 ITEM 11 CONCENTRATE SIDE ONLY.
- 8 ITEM 23 FEED SIDE ONLY.
- 9 PLEASE OPERATE IN ACCORDANCE WITH USER MANUAL.
- 10 FOR REFERENCE ONLY,NOT FOR CONSTRUCTION UNLESS CERTIFIED.
- 11 SPARE PARTS FORM JUST FOR REFERENCE,SPECIFIC FORM OF THE SPARE PART DRAWING PREVAIL;SUBJECT TO CHANGE WITHOUT NOTICE.
- 12 ALL PARTS CAN BE RECYCLED EXCEPT FRP SHELL.

23	A8023.1 A8023.1C	Shim	0-4	Engineering Thermoplastic	
22	A8022.3	Permeate Part	2	Engineering Thermoplastic.316SS Ring	
21	47.5x3.55G GB/T3452.1	O-ring	2	EPDM	
20	58x2.65G GB/T3452.1	O-ring	2	EPDM	
19	A8020	Securing Ring	2	Engineering Thermoplastic	
18	A8018.2	Locking Kit Segment	2 Set	316SS	
17	GB/T70.1 M8x20	Locking Segment Screw	6	316SS	
16	A8016	Saddle	2~3	Rubber	
15	GB/T 5780 M8x90	Strap Screw	4~6	316SS	
14	A8014.3-A	Strap	2~3	316SS-Brass and Rubber	
13	23.6x2.65G GB/T3452.1	O-ring	4	EPDM	
12	A8012.3	Adapler	2	Engineering Thermoplastic	
11	A8011.4	Thrust Ring	1	Engineering Thermoplastic	
10	E80120D	Feed/Conc. Part	2	Super Duplex Stainless Steel	
09	A8009.1	Retaining Ring	4	316SS	
08	47.5x3.55G GB/T3452.1	O-ring	4	EPDM	
07	A8007	Permeate Part Locknut	2	Engineering Thermoplastic	
06	A8006	Plug	1	Engineering Thermoplastic	
05	36.5x3.55G GB/T3452.1	O-ring	4	EPDM	
04	190x5.3G GB/T3452.1	O-ring	2	EPDM	
03	A8003.1A	Parted Sealing Plate	2	Engineering Thermoplastic	
02	A8002.6(16)	Bearing Plate	2	Aluminium Alloy-Hard anodized	S(16)
01	E8004.1-8	Pressure Shell	1	FRP-316SS Embeded ring wound in place	S
REF	PART NUMBER	DESCRIPTION	QTY	MATERIAL	NOTE



Shell length code	Shell number	L L.O.A MM/IN	S Span MM/IN	Approx assembly weight KG/LB
1	E8004.1	1534/60.4	500/19.7	44/99
2	E8004.2	2550/100.4	1455/57.3	57/128
3	E8004.3	3566/140.4	2064/81.3	70/158
4	E8004.4	4582/180.4	1600/63x2	83/187
5	E8004.5	5598/220.4	2000/78.7x2	96/216
6	E8004.6	6614/260.4	2358/92.8x2	109/245
7	E8004.7	7630/300.4	2865/112.8x2	122/275
8	E8004.8	8646/340.4	3373/132.8x2	135/304

ROPV

DESIGN	Harbin ROPV Industrial Co.,Ltd.	
REVIEW	MODEL	R8040B600E PRESSURE VESSEL
APPROVAL	DRG	REV
	R8040B600E-00	10.2.4A