

Industrial Process Liquid Filled Pressure Gauges (305P Series)

Applications

- Shock & vibration application
- Corrosion resistance
- Chemical & petrochemical
- Power generation
- Pumps, compressors and regulators
- Refining & marine industry
- Sea water application (only monel)

Pressure Limitation

- Steady : 3/4 of full scale value
(recommendation : 25% to 75% of full scale)
- Fluctuating : 2/3 of full scale value
(recommendation : lower 50% of full scale)
- Short time : full scale value : 130% of full scale value
(over range protection)

Operating Temperature

- Ambient : -40~65°C
-20~65°C (Glycerine)
-40~65°C (Silicone)
- Media (Fluid) : Max. 100°C (Glycerine)
Max. 100°C (Silicone)



Special Notes

1. Other Process Connections are available as option.

Standard Specification Overview

Dial Size

- 60mm (2.5"), 75mm (3")

Reference Accuracy

- 60mm, 75mm : $\pm 1.5\%$ of Full Scale

Scale Ranges

- 60mm, 75mm : Vacuum & Compound 0 ~ 0.1 to 0 ~ 35 MPa
- * For more information, see the ordering information table.

Standard Process Connection

- 60mm : PT ("R" in ISO) 1/4"
- 75mm : PT ("R" in ISO) 3/8"
- * No throttling screw inserted in the pressure port.

Ring Type

- 60mm: Crimped
- 75mm: Bayonet

Material

- Case : 304 SS with pressure relief on top
- Ring (Cover) : 304 SS
- Window : Safety Glass
- Pointer : Aluminum Alloy, Black Finished
- Connection : 316 SS
- Element (Bourdon Tube) : 316 SS
- Movement : Stainless steel
- Dial Plate : White Aluminum with Black Graduations
- Liquid Filled : Glycerine (Silicone-Option)

Degree of Protection

- IP 67

Optional Extra

- Test Report by Manufacturer
- Test Report by KOLAS (ILAC-MRA)
- Laminated Safety Glass
- Monel Connection & Element
- Cleaning Service (USE NO OIL)
- Supersonic Cleansing Service
- Throttling Screw (Restricting Orifice)
- Liquid Filled (Glycerine)
- Liquid Filled (Silicone)
- Protection Cover (Polycarbonate)

Ordering Information for 305P Series

● = Standard Products ▲ = Available NA = Not Available

Model	Description	Case & Ring	Wetted Parts	
305P	Industrial Process Liquid Filled Pressure Gauges	304 SS	316 SS	
Code	Dial Size	Accuracy	305P	
25	60mm (2.5")	± 1.5% of F.S.	●	
30	75mm (3")	± 1.5% of F.S.	●	
Code	Mounting Type		All	
A	Bottom Connection without Mounting Flange		●	
B	Bottom Connection with Back Mounting Flange		●	
L	Lower Back Connection without Mounting Flange		●	
J	Lower Back Connection with 3-hole Front Mounting Flange		●	
U	Lower Back Connection with "U" Clamp Mounting Bracket		●	
Code	Process Connection Style		All	
2	PT ("R" in ISO Standard)		●	
3	PF ("G" in ISO Standard)		▲	
4	NPT		▲	
5	UNF		▲	
X	Others		☞	
Code	Process Connection Size		25	30
C	1/4"		●	▲
D	3/8"		NA	●
M	7/16"		▲	▲
Code	Pressure Range		25	30
001	-0.1 ~ 0 MPa		●	●
002	-0.1 ~ 0.1 MPa		●	●
003	-0.1 ~ 0.2 MPa		●	●
004	-0.1 ~ 0.3 MPa		●	●
005	-0.1 ~ 0.4 MPa		●	●
006	-0.1 ~ 0.6 MPa		●	●
007	-0.1 ~ 1.0 MPa		●	●
008	-0.1 ~ 1.5 MPa		●	●
009	-0.1 ~ 2.0 MPa		●	●
112	0 ~ 0.1 MPa		●	●
113	0 ~ 0.2 MPa		●	●
114	0 ~ 0.3 MPa		●	●
115	0 ~ 0.4 MPa		●	●
116	0 ~ 0.6 MPa		●	●
118	0 ~ 1 MPa		●	●
119	0 ~ 1.5 MPa		●	●
120	0 ~ 2 MPa		●	●

121	0 ~ 2.5 MPa	●	●
122	0 ~ 3.5 MPa	●	●
124	0 ~ 5 MPa	●	●
126	0 ~ 7 MPa	●	●
127	0 ~ 10 MPa	●	●
128	0 ~ 15 MPa	●	●
129	0 ~ 25 MPa	●	●
130	0 ~ 35 MPa	▲	▲

* MPa (SI Unit) is the standard dial scale but others are available upon request.

Code	Application Accessory Options
J0	Not Apply
J1	Adapter
J2	Gauge Unions
J3	Syphon Tubes
J4	Pulsation Dampeners
J5	Pressure Snubber
J7	Gauge Savers (Gauge Protectors)
J8	Safety Kloser
J9	Manifold Valves

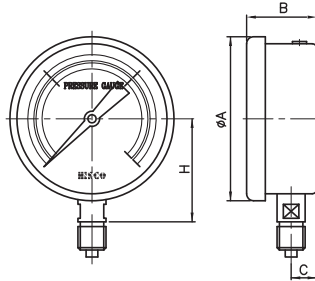
Code	Options	25	30
Test Reports			
T1	Test Report by Manufacturer	▲	▲
T2	Test Report by KOLAS (ILAC-MRA)	▲	▲
Material Option			
S7	316L SS Connection Part	▲	▲
W1	Laminated Safety Glass	▲	▲
Other Option			
C1	Cleaning Service (USE NO OIL)	▲	▲
C2	Supersonic Cleansing Service	▲	▲
R1	Throttling Screw (Restriction Orifice)	▲	▲
F2	Liquid Filled (Glycerine)	▲	▲
F4	Liquid Filled (Silicone)	▲	▲

Sample Model Selection : 305P30A2F129J0T1

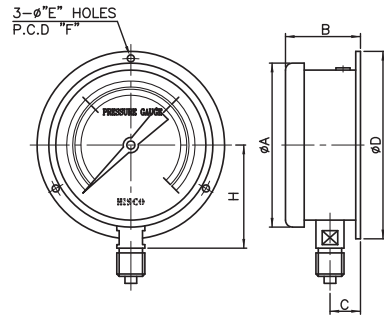
* The standard specification and price are subject to change without prior notice.

Industrial Process Liquid Filled Pressure Gauges (305P Series)

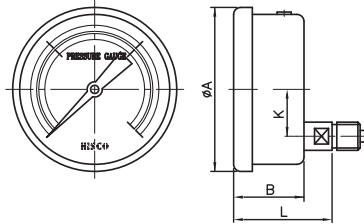
TYPE-A



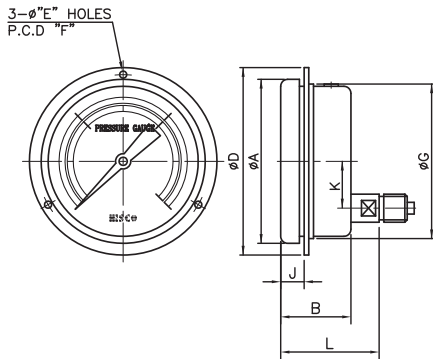
TYPE-B



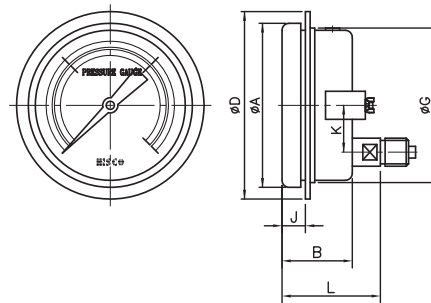
TYPE-L



TYPE-J



TYPE-U



[UNIT : mm]

Code	Dial Size	(Available Type)	A	B	C	D	E	F	G	H	J	L	K
25	$\phi 60$	A,B,[L,J, (U)]	69	42 [40]	14	90 [86]	4.5	77	65	51	9	55	20
30	$\phi 75$	A,B,[L,J,U]	87	43 [41]	16	105	5.5	91.6	79	56.5	15	60	27

HISCO HISCO, INC.

32, Seonyu-ro 43-gil, Yeongdeungpo-gu, Seoul, Korea
T : 82-2-2677-6046 F : 82-2-2672-1873 <http://www.hiscoi.com>