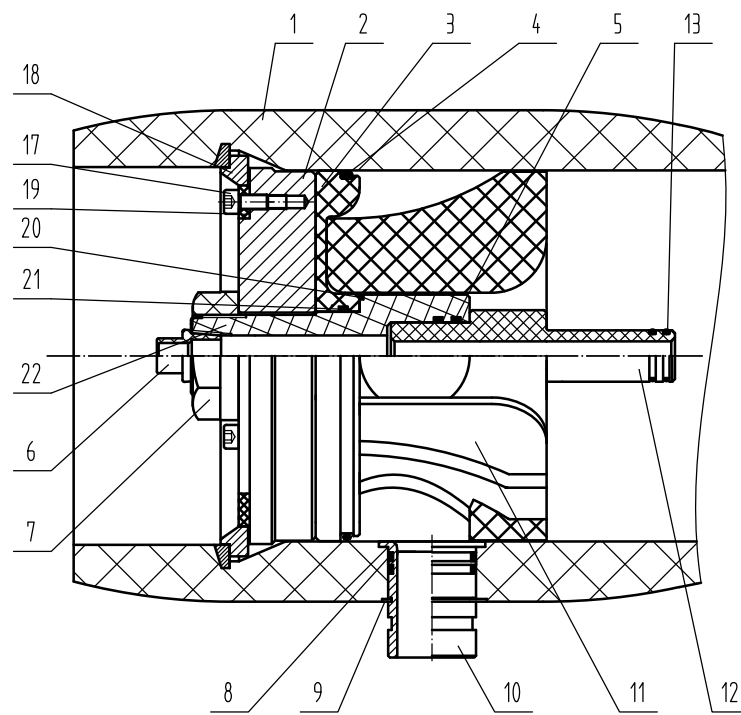


600
PSI

F/C. PORT	D(MM/IN)	H(MM/IN)
1.5"(DN40)	258/10.1	153/6.0
2"(DN50)	260/10.2	153/6.0
2.5"(DN65)	268/10.5	158/6.2

23	A8023.1 A8023.1C	Shim	0-4	Engineering Thermoplastic	
22	A8022.3	Permeate Port	2	Engineering Thermoplastic. 316LSS Ring	
21	47.5x3.55G GB/T3452.1	O-ring	2	EPDM	
20	58x2.65G GB/T3452.1	O-ring	2	EPDM	
19	A8020	Securing Ring	2	Engineering Thermoplastic	
18	A8018.2	Locking Kit Segment	2 Set	316SS	
17	GB/T70.1 M8x20	Locking Segment Screw	6	316SS	
16	A8016	Saddle	2-3	Rubber	
15	GB/T5782 M8x90	Strap Screw	4-6	316SS	
14	A8014.3-A	Strap	2-3	316SS-Brass and Rubber	
13	23.6x2.65G GB/T3452.1	O-ring	4	EPDM	
12	A8012.3	Adapter	2	Engineering Thermoplastic	
11	A8011.3	Thrust Ring	1	Engineering Thermoplastic	
10	S8060F.US(DZ) S8060E.US(DZ) S8060D.US(DZ)	2.5"Feed/Conc. Port 2"Feed/Conc. Port 1.5"Feed/Conc. Port	2-4	Super Duplex Stainless Steel	OPT
09	A8009.1-3	Retaining Ring	2-4	316SS	
08	65x3.55G GB/T3452.1 53x3.55G GB/T3452.1 41.2x3.55G GB/T3452.1	O-ring	4-8	EPDM	
07	A8007	Permeate Port Locknut	2	Engineering Thermoplastic	
06	A8006	Plug	1	Engineering Thermoplastic	
05	36.5x3.55G GB/T3452.1	O-ring	4	EPDM	
04	190x5.3G GB/T3452.1	O-ring	2	EPDM	
03	A8003.3-H	Parted Sealing Plate	2	Engineering Thermoplastic	
02	A8002.7A(16)	Bearing Plate	2	Aluminium Alloy-Hard anodized	S(16)
01	S8004.1-8	Pressure Shell	1	FRP-316SS Embedded ring wound in place	S (C)
REF	PART NUMBER	DESCRIPTION	QTY	MATERIAL	NOTE



- DESIGN PRESSURE 600PSI(4.1MPa).
- DESIGN TEMPERATURE 150°F(65°C).
- MIN ALLOWABLE TEMPERATURE 14°F(-10°C).
- WORKING MEDIUM,SEA WATER OR BRACKISHWATER,pH RANGE 3-11.
- DIMENSIONS IN MM(INCHES APPROX).
- INTERNAL PERMEATE PRESSURE NOT TO EXCEED 125PSI(0.88MPa).
- THE QUANTITY OF ITEM NO.8 9 AND 10,DEPEND ON THE FEED/CONC. PORTS CONFIGURATION.
- ITEM 11 CONCENTRATE SIDE ONLY.
- ITEM 23 FEED SIDE ONLY.
- PLEASE OPERATE IN ACCORDANCE WITH USER MANUAL.
- FOR REFERENCE ONLY,NOT FOR CONSTRUCTION UNLESS CERTIFIED.
- SPARE PARTS FORM JUST FOR REFERENCE,SPECIFIC FORM OF THE SPARE PART DRAWING PREVAIL,SUBJECT TO CHANGE WITHOUT NOTICE.
- ALL PARTS CAN BE RECYCLED EXCEPT FRP SHELL.

Shell length code	Shell number	L L.O.A MM/IN	P Port to port MM/IN	S Span MM/IN	Approx assembly weight (1.5"Feed/Conc. Port) KG/LB
1	S8004.1	1516/59.7	1143/45	440/17.3	49/108
2	S8004.2	2532/99.7	2159/85	1455/57.3	62/137
3	S8004.3	3548/139.7	3175/125	2064/81.3	75/165
4	S8004.4	4564/179.7	4191/165	1600/63x2	88/194
5	S8004.5	5580/219.7	5207/205	2000/78.7x2	101/223
6	S8004.6	6596/259.7	6223/245	2358/92.8x2	114/251
7	S8004.7	7612/299.7	7239/285	2865/112.8x2	127/280
8	S8004.8	8628/339.7	8255/325	3373/132.8x2	140/309

ROPV

DESIGN

REVIEW

APPROVAL

Harbin ROPV Industrial Co.,Ltd.

MODEL R8040B600S PRESSURE VESSEL

DRG R8040B600S-00 REV 10.2.4A