

Direct Threaded Diaphragm Sealed Pressure Gauges(501P & 503P Series)

Applications

- Specially designed for chemical, petrochemical, paper and food industry
- All gaseous and liquid media
- Corrode, Suspended solid, Viscous or Frozen medium
- Shock & vibration application
- Pumps, compressors and regulators
- Refining & marine industry

Working Pressure

Steady : 3/4 of full scale value(recommendation : 25% to 75% of full scale)

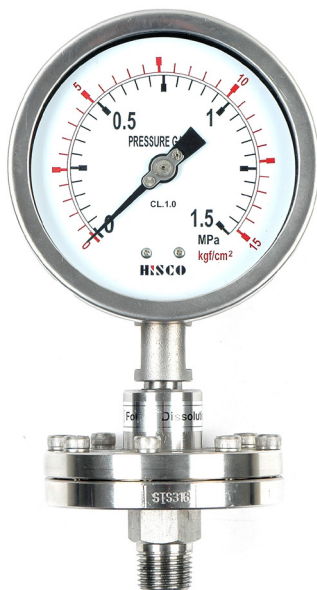
Fluctuating : 2/3 of full scale value(recommendation : lower 50% of full scale)

Short time : 130% of full scale value(over range protection / 100mm, 115mm, 150mm & 160mm)

Operating Temperature

Ambient : -20 ~ 60°C

Media(Fluid) : + 100°C maximum



Standard Specification Overview

Dial Size

100mm(4"), 115(4.5"), 150mm(6") & 160mm(6.5")

* Above dial size is standard but others are available upon request.

Reference Accuracy

Refer to Gauge Model

Scale Ranges *

Refer to Gauge Model

* For more information, see the ordering information table.

Pressure Connection

PF("G" in ISO) 3/8", PT("R" in ISO) 1/2"

Material

Upper Flange : 304SS, 316SS

Diaphragm : 316LSS, Monel, Hastelloy-C, Titanium, Tantalum

Under Flange : 304SS, 316SS, 316LSS, Monel, Hastelloy-C, Titanium, Tantalum

Optional Extra

Code T1 : Test Report by Manufacturer

Code T2 : Test Report by KOLAS(ILAC-MRA)

Code W1 : Laminated Safety Glass

Code S6 : 316 SS Case & Cover(Ring)

Code C1 : Cleaning Service(USE NO OIL)

Code C2 : Supersonic Cleansing Service

Code Z0 : Peak Valve Memory Pointer(only for 100mm)

Code P2 : Protection Cover(Polycarbonate)

Special Notes

1. Other pressure connections are available as option.

Ordering Information for 501P & 503P Series

Model	Description
501P	Direct Thread Diaphragm Sealed Pressure Gauges
503P	Remote Threaded Diaphragm Sealed Pressure Gauges

Code	Dial Size & Model	Code	Dial Size & Model	Code	Dial Size & Model
	Industrial Process Pressure Gauge		Euro Type Industrial Process Pressure Gauge		Solid Front Pressure Gauge
A5	100mm(Model 301P)	D5	100mm(Model 321P)	G7	115mm(Model 381P)
B5	100mm(Model 305P)	F5	100mm(Model 325P)	J5	100mm(Model 383P)

* For model 501P, mounting type "A" applies. Other mounting types are available and use accessory model.

* For model 503P, mounting type "B" applies. Other mounting types are available and use accessory model.

* Other pressure model is available. See the available gauge model table

Code	Process Connection Style	All
2	PT("R" in ISO Standard)	■
3	PF("G" in ISO Standard)	★
4	NPT	■
X	Others	☎

Code	Process Connection Size	All
D	3/8"	■
F	1/2"	■
H	3/4"	★

Code	Pressure Range	All
001	-0.1 ~ 0 MPa	■
002	-0.1 ~ 0.1 MPa	■
003	-0.1 ~ 0.2 MPa	■
004	-0.1 ~ 0.3 MPa	■
005	-0.1 ~ 0.4 MPa	■
006	-0.1 ~ 0.6 MPa	■
007	-0.1 ~ 1.0 MPa	■
008	-0.1 ~ 1.5 MPa	■
009	-0.1 ~ 2.0 MPa	■
111	0 ~ 0.05 MPa	■
112	0 ~ 0.1 MPa	■
113	0 ~ 0.2 MPa	■
114	0 ~ 0.3 MPa	■
115	0 ~ 0.4 MPa	■
116	0 ~ 0.6 MPa	■
118	0 ~ 1 MPa	■
119	0 ~ 1.5 MPa	■
120	0 ~ 2 MPa	■
121	0 ~ 2.5 MPa	■
122	0 ~ 3.5 MPa	■
124	0 ~ 5 MPa	■
126	0 ~ 7 MPa	■
127	0 ~ 10 MPa	■
128	0 ~ 15 MPa	■

129	0 ~ 25 MPa	■
130	0 ~ 35 MPa	■
132	0 ~ 50 MPa	■

* MPa(SI Unit) is the standard dial scale but others are available upon request.

Code	Diaphragm Material	All
A	316L SS	■
B	316L SS + PTFE Lining ⁽¹⁾	★
C	316L SS + PTFE Coating	★
D	Monel 400	★
E	Hastelloy C-276	★
F	Titanium Gr. 4	★
G	Tantalum	★
H	Inconel 600	★

Code	Upper Housing Material		All
1A	304 SS	304 SS	★
1B	304 SS	316 SS	■
1C	304 SS	316L SS	★
1D	304 SS	Monel	★
1E	304 SS	Hastelloy C	★
1F	304 SS	Titanium	★
1H	304 SS	304 SS + PTFE Lining	★
1J	304 SS	316 SS + PTFE Lining	★
1K	304 SS	PVC ⁽²⁾⁽³⁾	★
1L	304 SS	Teflon ⁽²⁾⁽³⁾	★
2B	316 SS	316 SS	★
2C	316 SS	316L SS	★
2D	316 SS	Monel	★
2E	316 SS	Hastelloy C	★
2F	316 SS	Titanium	★
2H	316 SS	304 SS + PTFE Coating	★
2J	316 SS	316 SS + PTFE Coating	★
2K	316 SS	PVC ⁽²⁾⁽³⁾	★
2L	316 SS	Teflon ⁽²⁾⁽³⁾	★

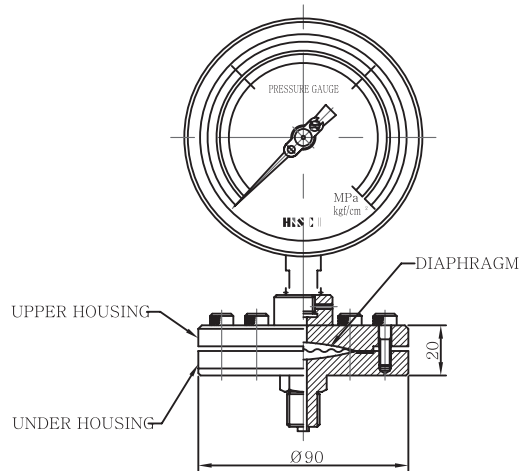
Code	Capillary Connection Length				
00	Direct	55	2.5 m	60	6.0 m
51	0.5 m	56	3.0 m	61	7.0 m
52	1.0 m	57	3.5 m	62 ⁽⁴⁾	8.0 m
53	1.5 m	58	4.0 m	63 ⁽⁴⁾	9.0 m
54	2.0 m	59	5.0 m	64 ⁽⁴⁾	10.0 m

Code	Applicable Accessory Options ⁽⁵⁾
J0	Not Apply
J1	Adapters
J3	Syphon Tubes
J4	Pulsation Dampeners

J5	Pressure Snubbers	
J7	Gauge Savers(Gauge Protectors)	
J8	Instrument Valves	
Code	Options	
Test Reports		
T1	Test Report by Manufacturer	★
T2	Test Report by KOLAS(ILAC-MRA)	★
Other Option		
C1	Cleaning Service(USE NO OIL)	★
M1	Material Certificate(Mill Sheet)	★
Sample Model Selection : 501PA12F118A1B00J0		
Note 1. Vacuum and Compound Range are not available.		
Note 2. PVC and Teflon can be assembled with only PTFE Lining or Coating(Diaphragm Matrial Code B or C).		
Note 3. It measures up to 5 MPa.		
Note 4. Capillary Connection Length is available up to 10.0 meters, but consult to the factory for installation information.		
Note 5. On selecting of accessory option, excluding J0, go to Accessory Model(PA XXX) for the detail selection.		
■ = Standard Products ★ = Available NA = Not Available		
* The standard specification and price are subject to change without prior notice.		

■ Direct Threaded Diaphragm Sealed Pressure Gauges (501P & 503P Series)

501P



503P (REMOTE TYPE)

