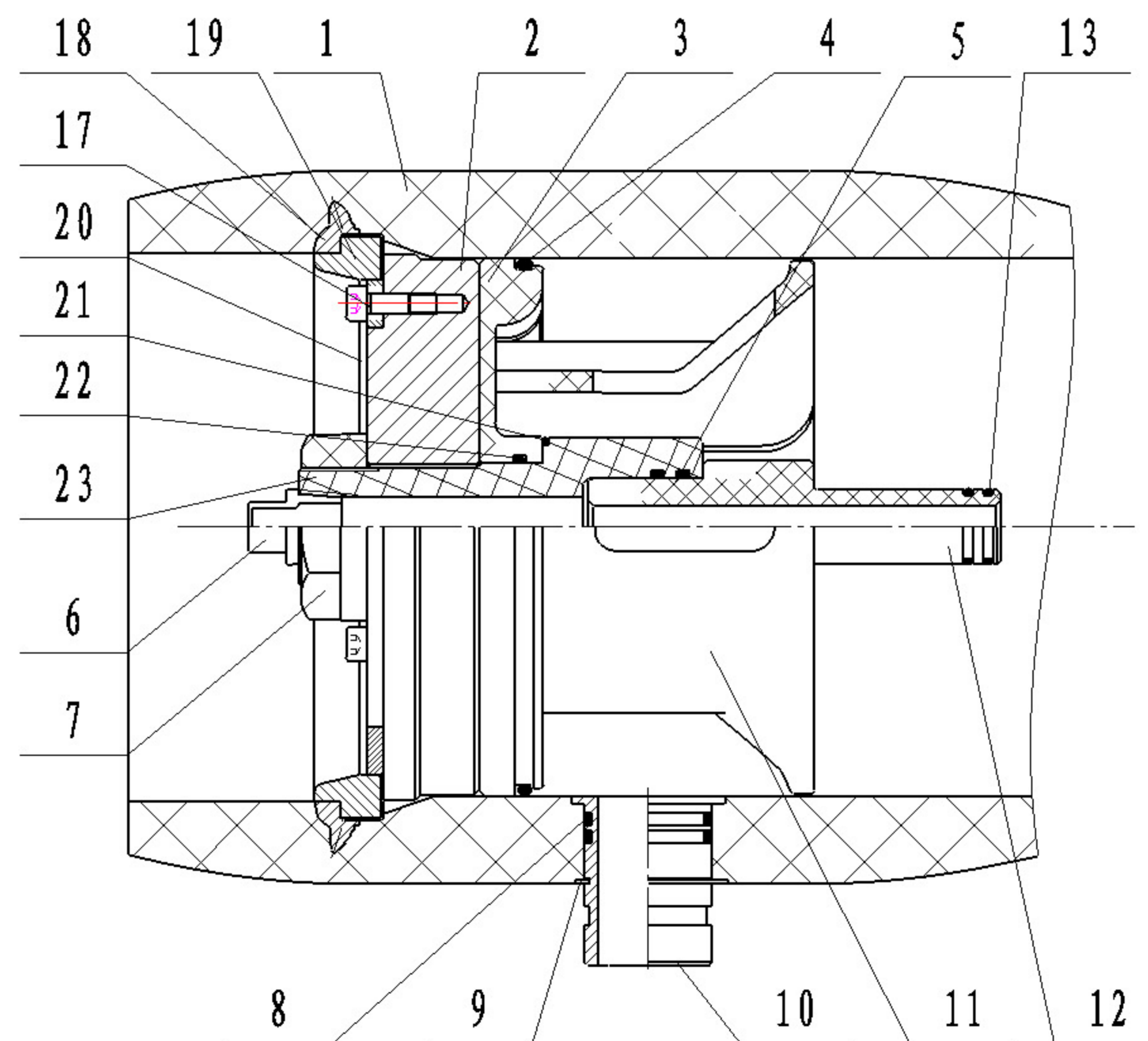


| Ref Part Number | Description | Qty. | Material |
|-----------------|---------------------------------------|------|------------------------|
| 1 8007.1-7 | Pressure Shell | 1 | Epoxy FRP |
| 2 8009 | Bearing Plate | 2 | Aluminum alloy 6061-T6 |
| 3 8010.2 | Sealing Plate (Without permeate port) | 2 | ABS |
| 4 8038 | O-Ring | 2 | EPDM |
| 5 8040 | O-Ring | 4 | EPDM |
| 6 8013 | Plug | 1 | ABS |
| 7 8014.1 | Permeate Port Locknut | 2 | ABS |
| 8 80411 | O-Ring | 4 | EPDM |
| 9 80051 | Retaining Ring | 2 | 304SST |
| 10 8018.3 | 1.5" Feed/Conc. Port | 2~4 | 2205SST |
| 11 8022.3 | Thrust Ring | 1 | ABS |
| 12 8026 | Adapter | 2 | ABS |
| 13 8043 | O-Ring | 4 | EPDM |
| 14 8027.3 | Strap | 2~3 | 304SST |
| 15 8029 | Strap Screw | 4~6 | 304SST |
| 16 8032 | Saddle | 2~3 | NR |
| 17 8036 | Securing Ring Screw | 6 | 304SST |
| 18 8034 | Locking Kit Segment | 6 | Aluminum alloy |
| 19 8097 | Embedded Ring | 2 | 316SST |
| 20 8035 | Securing Ring | 2 | Aluminum alloy |
| 21 8062.1 | O-Ring | 2 | EPDM |
| 22 8058 | O-Ring | 2 | EPDM |
| 23 8064.3 | Permeate Port | 2 | ABS |



- WARNING:**
1. UNIT OF MEASURE INCHES/MM.
 2. DRAWING DIMENSIONS ARE FOR REFERENCE ONLY.
 3. PRECAUTIONS, USAGE GUIDELINES, AND USER GUIDE INTEGRAL TO DRAWING.
 4. SUBJECT TO CHANGE WITHOUT NOTICE.
 5. INTERNAL PERMEATE PRESSURE NOT TO EXCEED 125PSI (0.88Mpa).

| Shell length code | Shell number | L L. O. A IN/MM | P Port to port IN/MM | S Span IN/MM | Approx assembly weight LB/KG |
|-------------------|--------------|-----------------|----------------------|--------------|------------------------------|
| 1 | 8007.1 | 60.4/1534 | 45/1143 | 28/700 | 140.2/62.3 |
| 2 | 8007.2 | 100.4/2550 | 85/2159 | 57/1455 | 193.5/86 |
| 3 | 8007.3 | 140.4/3566 | 125/3175 | 81/2064 | 247.5/110 |
| 4 | 8007.4 | 180.4/4582 | 165/4191 | 63/1600 x2 | 301.1/133.8 |
| 5 | 8007.5 | 220.4/5598 | 205/5207 | 79/2000 x2 | 354.4/157.5 |
| 6 | 8007.6 | 260.4/6614 | 245/6223 | 93/2358 x2 | 408.4/181.5 |
| 7 | 8007.7 | 300.4/7630 | 285/7239 | 113/2865 x2 | 461.3/205 |



HARBIN ROPV
INDUSTRY DEVELOPMENT CENTER

| | | | |
|------|--------------------------|-------|-------------|
| ENGR | JINGBO AN 2005/6/15 | MODEL | R80B 1000S |
| QLTY | QIYUAN WANG 2005/6/16 | DRG | R80B100S-00 |
| MAKT | YOUQING LI 2005/6/16 | REV | A |