

"I" Shape Flanged Diaphragm Sealed Pressure Gauges(531P & 533P Series)

Applications

- Specially designed for chemical, petrochemical, paper and food industry
- All gaseous and liquid media
- Corrode, Suspended solid, Viscous or Frozen medium
- Shock & vibration application
- Chemical & petrochemical
- Pumps, compressors and regulators
- Refining & marine industry

Working Pressure

Steady : 3/4 of full scale value(recommendation : 25% to 75% of full scale)

Fluctuating : 2/3 of full scale value(recommendation : lower 50% of full scale)

Short time : 130% of full scale value(over range protection / 100mm, 115mm, 150mm & 160mm)

Operating Temperature

Ambient : -20 ~ 60°C

Media(Fluid) : + 100°C maximum



Standard Specification Overview

Dial Size

100mm(4"), 115(4.5"), 150mm(6") & 160mm(6.5")

* Above dial size is standard but others are available upon request.

Reference Accuracy

Refer to Gauge Model

Scale Ranges *

Refer to Gauge Model

* For more information, see the ordering information table.

Pressure Connection

Flange Type

Material

Upper Flange : 304SS, 316SS

Diaphragm : 316LSS, Monel, Hastelloy-C, Titanium, Tantalum

Under Flange : 304SS, 316SS, 316LSS, Monel, Hastelloy-C, Titanium, Tantalum

Optional Extra

Code T1 : Test Report by Manufacturer

Code T2 : Test Report by KOLAS(ILAC-MRA)

Code C1 : Cleaning Service(USE NO OIL)

Code M1 : Material Certificate(Mill Sheet)

Ordering Information for 531P & 533P Series

Model	Description
531P	"I" Shape Flanged Diaphragm Sealed Pressure Gauges
533P	Remote "I" Shape Flanged Diaphragm Sealed Pressure Gauges

Code	Dial Size & Model	Code	Dial Size & Model	Code	Dial Size & Model
	Industrial Process Pressure Gauge		Euro Type Industrial Process Pressure Gauge		Solid Front Pressure Gauge
A5	100mm(Model 301P)	D5	100mm(Model 321P)	G7	115mm(Model 381P)
B5	100mm(Model 305P)	F5	100mm(Model 325P)	J5	100mm(Model 383P)

* For model 531P, mounting type "A" applies. Other mounting types are available and use accessory model.

* For model 533P, mounting type "B" applies. Other mounting types are available and use accessory model.

* Other pressure model is available. See the available gauge model table

Code	Process Connection Size ⁽¹⁾		
	ANSI / ASME	KS / JIS	DIN
B	1/2"	15 A	-
H	3/4"	20 A	-
J	1"	25 A	DN 25
R	1 1/2"	40 A	DN 40
T	2"	50 A	DN 50
V	2 1/2"	-	-
W	3"	80 A	DN 80
Y	4"	100 A	DN 100
X ⁽¹⁾	Others		

Code	Pressure Rating ⁽²⁾		
	ANSI / ASME	KS / JIS	DIN
2	Class 150	10 K	PN 10
3	-	-	PN 16
4	Class 300	20 K	PN 25
5	Class 600	30 K	PN 40
6	Class 900	40 K	-
7	Class 1500	65 K	-
X ⁽²⁾	Others		

Code	Process Connection Style ⁽³⁾
RF	RFSF(125~250 AARH)
FF	FF
RJ	RTJ
X ⁽¹⁾	Others

Code	Pressure Range	All
001	-0.1 ~ 0 MPa	■
002	-0.1 ~ 0.1 MPa	■
003	-0.1 ~ 0.2 MPa	■
004	-0.1 ~ 0.3 MPa	■
005	-0.1 ~ 0.4 MPa	■
006	-0.1 ~ 0.6 MPa	■
007	-0.1 ~ 1.0 MPa	■
008	-0.1 ~ 1.5 MPa	■

009	-0.1 ~ 2.0 MPa	■
111	0 ~ 0.05 MPa	■
112	0 ~ 0.1 MPa	■
113	0 ~ 0.2 MPa	■
114	0 ~ 0.3 MPa	■
115	0 ~ 0.4 MPa	■
116	0 ~ 0.6 MPa	■
118	0 ~ 1 MPa	■
119	0 ~ 1.5 MPa	■
120	0 ~ 2 MPa	■
121	0 ~ 2.5 MPa	■
122	0 ~ 3.5 MPa	■
124	0 ~ 5 MPa	■
126	0 ~ 7 MPa	■
127	0 ~ 10 MPa	★
128	0 ~ 15 MPa	★
129	0 ~ 25 MPa	★
130	0 ~ 35 MPa	★
132	0 ~ 50 MPa	★
134	0 ~ 70 MPa	★
135	0 ~ 100 MPa	★

* MPa(SI Unit) is the standard dial scale but others are available upon request.

Code	Diaphragm Material	All
A	316L SS	■
B	316L SS + PTFE Lining ⁽⁴⁾	★
C	316L SS + PTFE Coating	★
D	Monel 400	★
E	Hastelloy C-276	★
F	Titanium Gr. 4	★
G	Tantalum	★
H	Inconel 600	★

Code	Upper Housing Material	All
1A	304 SS 304 SS	★
1B	304 SS 316 SS	■
1C	304 SS 316L SS	★
1D	304 SS Monel	★
1E	304 SS Hastelloy C	★
1F	304 SS Titanium	★
1G	304 SS 304 SS + PTFE Lining ⁽⁴⁾	★
1H	304 SS 304 SS + PTFE Coating	★
1I	304 SS 316 SS + PTFE Lining ⁽⁴⁾	★
1J	304 SS 316 SS + PTFE Coating	★
1K	304 SS PVC ⁽⁵⁾⁽⁶⁾	★
1L	304 SS Teflon ⁽⁵⁾⁽⁶⁾	★

2B	316 SS	316 SS	★
2C	316 SS	316L SS	★
2D	316 SS	Monel	★
2E	316 SS	Hastelloy C	★
2F	316 SS	Titanium	★
2G	316 SS	304 SS + PTFE Lining ⁽⁴⁾	★
2H	316 SS	304 SS + PTFE Coating	★
2I	316 SS	316 SS + PTFE Lining ⁽⁴⁾	★
2J	316 SS	316 SS + PTFE Coating	★
2K	316 SS	PVC ⁽⁵⁾⁽⁶⁾	★
2L	316 SS	Teflon ⁽⁵⁾⁽⁶⁾	★

Code	Capillary Connection Length				
------	-----------------------------	--	--	--	--

00	Direct	55	2.5 m	60	6.0 m
51	0.5 m	56	3.0 m	61	7.0 m
52	1.0 m	57	3.5 m	62 ⁽⁷⁾	8.0 m
53	1.5 m	58	4.0 m	63 ⁽⁷⁾	9.0 m
54	2.0 m	59	5.0 m	64 ⁽⁷⁾	10.0 m

Code	Applicable Accessory Options				
------	------------------------------	--	--	--	--

J0	Not Apply				
J9	Flushing Ring				

Code	Options				All
------	---------	--	--	--	-----

Test Reports					
T1	Test Report by Manufacturer				★
T2	Test Report by KOLAS(ILAC-MRA)				★
Other Option					
C1	Cleaning Service(USE NO OIL)				★
M1	Material Certificate(Mill Sheet)				★

Sample Model Selection : 521PA1B4RF118A1B00J0

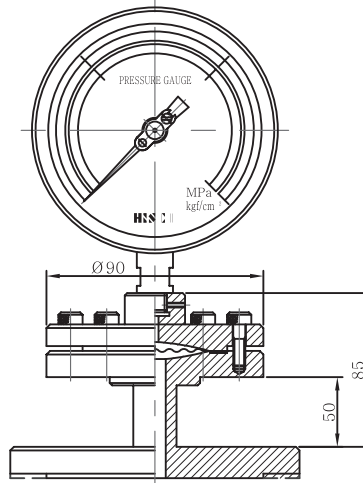
- Note 1. Other connection sizes are available on request.
- Note 2. Other pressure ratings are available on request.
- Note 4. Vacuum and Compound Range are not available. And it applies up to 7 MPa.
- Note 5. PVC and Teflon can be assembled with only PTFE Lining or Coating(Diaphragm Material Code B or C).
- Note 6. It measures up to 5 MPa.
- Note 7. Capillary Connection Length is available up to 10.0 meters, but consult to the factory for installation information.
- Note 8. On selecting of accessory option, excluding J0, go to Accessory Model(PA XXX) for the detail selection.

■ = Standard Products ★ = Available NA = Not Available

* The standard specification and price are subject to change without prior notice.

"I" Shape Flanged Diaphragm Sealed Pressure Gauges (531P & 533P Series)

531P



533P (REMOTE TYPE)

