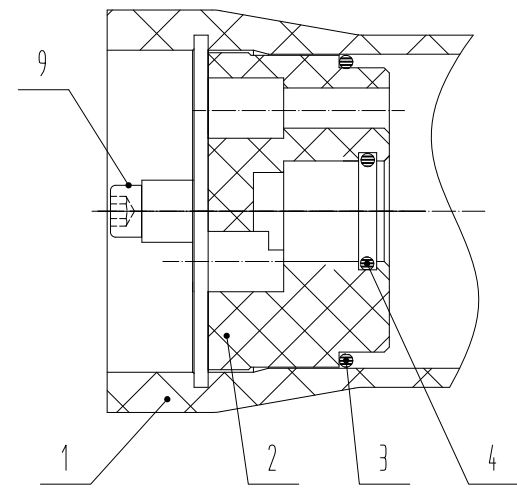


- NOTE:
- 1 Design pressure 300PSI(2.1MPa)
  - 2 Design temperature 150°F(66°C)
  - 3 Min. allowable temperature 14°F(-10°C)
  - 4 Working medium, water PH3~11
  - 5 Internal permeate pressure not to exceed 125psi
  - 6 Please operate in accordance with User Manual
  - 7 Subject to change without notice. Check with ROPV to confirm current drawing.
  - 8 Others can be use recycle except shell need specialized callback



Ref	Part Number	Description	Qty	Material	Note
09	GB/T70.1 M6x25	Screw	4	304SS	
08	2009	Locking Crescent	4	304SS	
07	2008	Strap Screw	4	304SS	M6x60 OPT
06	2007-A	Strap	2	304SS-Brass and Rubber	OPT
05	2003	Saddle	2	PVC	OPT
04	19x2.65G GB/T3452.1	O-Ring	2	EPDM	
03	56x3.55G GB/T3452.1	O-Ring	2	EPDM	
02	2004.1	End Plate	2	Engineering Thermoplastic	NPT 1/4" OPT
	2004				Rc 1/4" OPT
01	20022	2514 Shell	1	FRP	Opt for white blue or black
	20021	2521 Shell			
	2002	2540 Shell			
Ref	Part Number	Description	Qty	Material	Note

Shell Number	L L.O.A (MM/IN)	S Span (MM/IN)	Approx assembly weight (KG/LB)
2514	427/16.8	200/7.9	2/4.5
2521	605/23.8	400/15.7	2.5/5.6
2540	1088/42.8	700/27.6	3.0/6.8

<b>ROPV</b>	DESIGN	<b>Harbin ROPV Industry Development Center</b>	
	REVIEW	MODEL	R25B300E PRESSURE VESSEL
	APPROVAL	DRG	R25B300E-00
		REV	10.3