



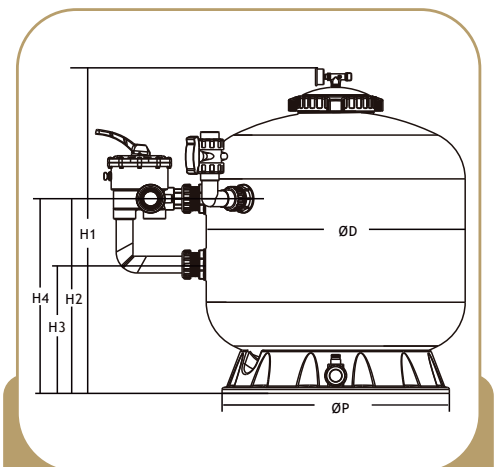
# BIOLOGICAL FILTER

Bead filters are closed pressure filter containing food grade polyethylene granules or beads. The form and size of the beads create a large surface on which bacteria and suspended solids can attached it. It provides mechanical and biological filtration at a single unit which complete with bobbin wound filter, 6-way multiport valve, pipings, circulation pump, air blower, control box and base. It has been engineered uniquely for pond and aquarium.



Model	Filter Diameter (mm)	Filter Height (mm)	Flow Rate (m <sup>3</sup> /h)	Pond Size (m <sup>2</sup> /h)	Blower (watt)	Fish Load (kg)	Media (kg)
BF450	450	660	8	6	700	20	18
BF500	500	730	11	10	700	35	30
BF650	650	745	16	30	900	78	50
BF700	700	830	19	34	900	94	75
BF800	800	905	25	52	900	124	100
BF900	900	1005	30	73	1000	172	125
BF1200	1200	1325	42	148	2*1100	310	325

Model	BF450	BF500	BF650	BF700	BF800	BF900	BF1200
ØD(mm)	450	500	630	700	800	900	1200
H1(mm)	660	730	790	885	1020	1110	1350
H2(mm)	385	405	435	520	605	650	820
H3(mm)	260	280	310	300	385	430	600
H4(mm)	385	405	435	480	600	650	820
ØP(mm)	390	390	565	565	790	790	1010



BF450~BF1200