

• **Innovative design**

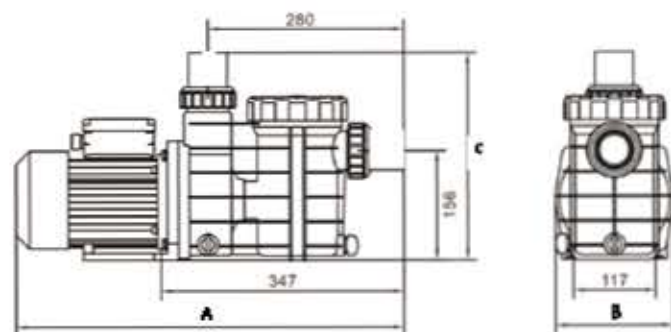
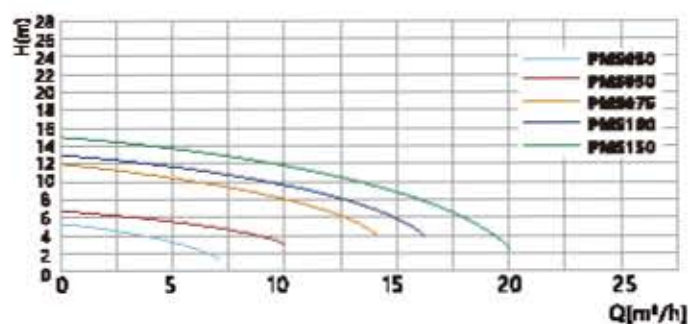


# PMS SERIES SELF-PRIMING POOL PUMP

PMS



- Using special materials with superior pressure up to 7kg/cm<sup>2</sup>.
- High temperature resistant to 70°C.
- High quality Impeller and mechanical seal suitable for long-time use.
- Basket is easy to take out and install.
- Ultra quiet and IP55 water proof.
- Innovative design and high self-priming.
- Suitable for residential pool and spa pool.



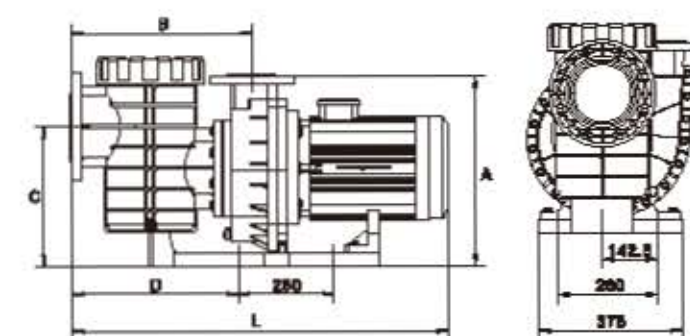
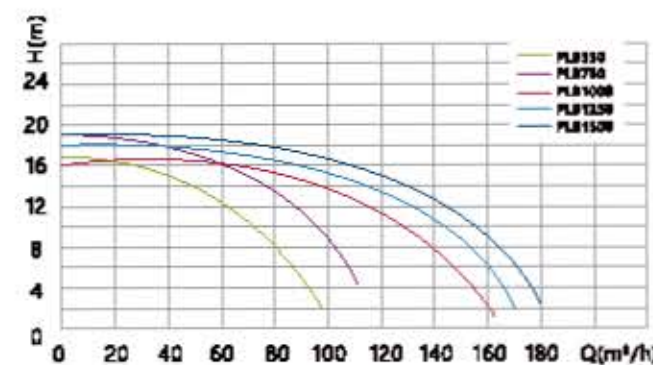
Model	Motor Power (HP)	Voltage (V)	Frequency (RPM)	Q <sub>max</sub> (m <sup>3</sup> /h)	H <sub>max</sub> (mtr)	Connections (mm)	A (mm)	B (mm)	C (mm)
PMS030	0.33	220	2900	7	5.8	48/50	540	168	296
PMS050	0.50	220	2900	10	6.8	48/50	540	168	296
PMS075	0.75	220	2900	14	12	48/50	562	168	296
PMS100	1.00	220	2900	16	13	48/50	562	168	296
PMS150	1.50	220	2900	20	15	48/50	572	168	296

# PLB SERIES SELF-PRIMING POOL PUMP

PLB



- IP55 waterproof standard.
- High flow rate.
- Ultra-quiet.
- Maximum working pressure : 6kg/cm<sup>2</sup>.
- 316 stainless steel shaft.
- Graphite/ceramic mechanical seal.
- Maximum water temperature : 70°C



Model	Motor Power (HP)	Voltage (V)	Frequency (RPM)	Q <sub>max</sub> (m <sup>3</sup> /h)	H <sub>max</sub> (mtr)	Inlet (mm)	Outlet (mm)	L (mm)	A (mm)	B (mm)	C (mm)	D (mm)
PLB-550	5.5	380	1450	98	17	140	90	810	481	441	365	402
PLB-750	7.5	380	1450	110	19	140	90	830	481	441	365	402
PLB-1000	10	380	1450	162	16	160	110	930	496	469	365	433
PLB-1250	12.5	380	1450	170	18	160	110	930	496	469	365	433
PLB-1500	15	380	1450	180	19	160	110	970	496	469	365	433