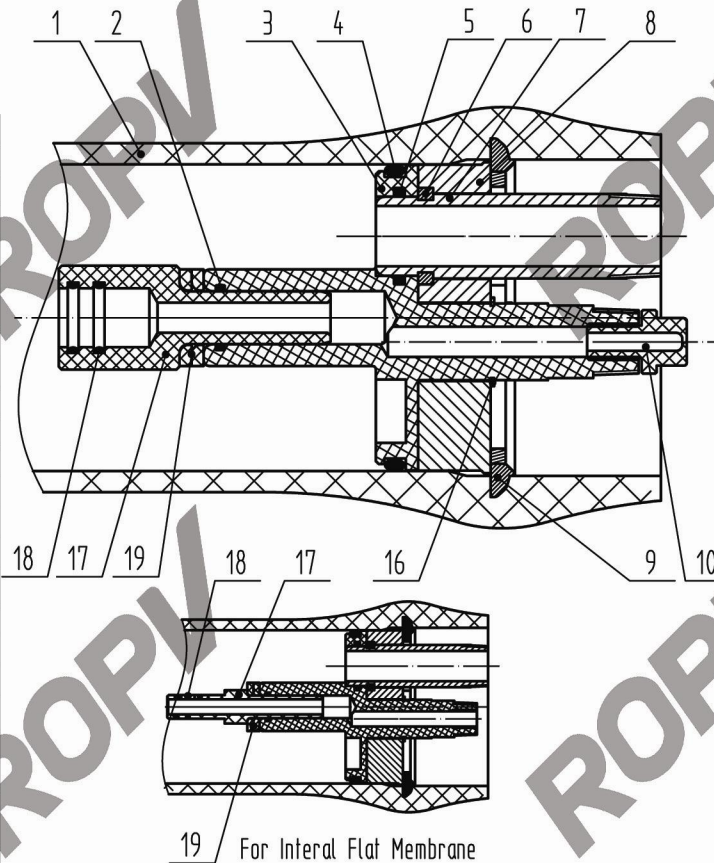


19	A4090.1 A4090	Shim	2	Engineering Thermoplastic	Internal Adapter
18	12.5x1.8G GB/T3452.1 19x2.65G GB/T3452.1	O-Ring	4	EPDM	
17	4021.1 4021	Adapter	2	Engineering Thermoplastic	Internal Adapter
16	4015	Retaining Ring	2	316SS	
15	4010	Saddle	2-3	Rubber	
14	GB/T5782 M8x60	Strap Screw	4-6	316SS	
13	4008.2	Strap	2-3	316SS	
12	A4025	Securing Ring	2	316SS	
11	GB/T70.1 M6x15	Securing Ring Screw	4	316SS	
10	4013	Plug	1	Engineering Thermoplastic	M12
09	A4024	Locking Kit Segment	2 set	316SS	
08	A4036	Bearing Plate	2	Aluminium Alloy-Hard anodized	
07	A4038	Feed/Conc.Part	2	Super Duplex Stainless Steel	
06	4039	Feed/Conc.Part Fixed Ring	4	316SS	
05	25.8x3.55G GB/T3452.1	O-Ring	2	EPDM	
04	90x5.3G GB/T3452.1	O-Ring	2	EPDM	
03	A4068.2 A4068.1	Sealing Plate	2	Engineering Thermoplastic	For Flat Membrane
02	14x2.65G GB/T3452.1 17x2.65G GB/T3452.1	O-Ring	2	EPDM	
01	A4031.13-18	Pressure Shell	1	FRP	Opt for blue or white
Ref	Part Number	Description	Qty	Material	Note



- Design pressure 1000PSI(6.9MPa)
- Design temperature 150°F(66°C)
- Min. allowable temperature 14°F(-10°C)
- Working medium, sea water or brackishwater
- Internal permeate pressure not to exceed 125PSI(0.88MPa)
- Please operate according to directions
- Subject to chance without notice, please sign in the website of the company to inquire.(www.ropv.com.cn)
- Others can be use recycle except shell need specialized callback

Shell Length Code	Shell Number	L L.O.A (MM/IN)	S Span (MM/IN)	Approx assembly weight (KG/LB)
1	A4031.13	1354/53.3	600/23.6	11/24.2
2	A4031.14	2370/93.3	1200/47.2	17/37.5
3	A4031.15	3386/133.3	2200/86.6	23/50.7
4	A4031.16	4402/173.3	1600/63.0x2	29/64
5	A4031.17	5418/213.3	2300/90.6x2	35/77.1
6	A4031.18	6434/253.3	2700/106.3x2	41/90.4

ROPV	DESIGN	Haorbin ROPV Industry Development Center	
	REVIEW	MODEL	R4040C1000E PRESSURE VESSEL
	APPROVAL	DRG	R4040C1000E-00 版次 12.2