

DEEP BED FIBRGLASS SAND FILTER

HP

Maximum Temperature
50°C (122F)

Maximum Working Pressure
400kpa/58psi (4.0bar)

Size of Gravel
0.5mm~0.8mm

Factory Testing Pressure
600kpa/86psi (6.0bar)

- UV resistant wound structural fiberglass tanks.
- Depth filter bed for better filtration performance.

- Using different kinds of filtration media to remove rust,dirt and other solid things in the water.



With Top Mount

HPS

Maximum Working Pressure
400kpa/58psi (4.0bar)

Maximum Temperature
50°C (122F)

Factory Testing Pressure
600kpa/86psi (6.0bar)

Size of Gravel
0.5mm~0.8mm

- UV resistant wound structural fiberglass tanks.
- Depth filter bed for better filtration performance.

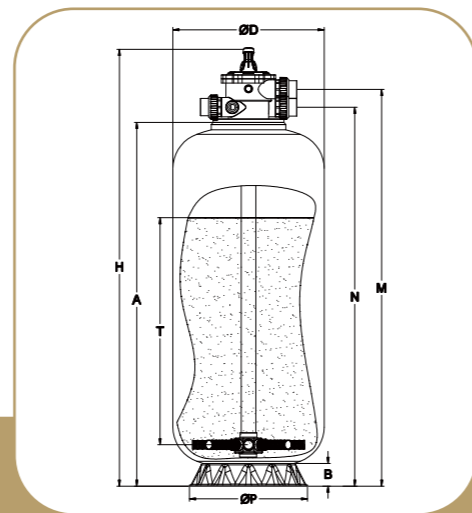
- Using different kinds of filtration media to remove rust,dirt and other solid things in the water.



with side mount

Model	Filter Diameter (mm)	Filter Height (mm)	Design Flow (m³/h)	Filter Area (m²)	Connections (inch/mm)	Sand Weight (kg)
HP13400	400	1300	4.5	0.13	1.5"/50	120
HP13450	450	1300	5.6	0.16	1.5"/50	150
HP13500	530	1300	7.0	0.20	1.5"/50	185
HP13600	630	1300	11.2	0.32	1.5"/50	245
HP13700	700	1300	13.0	0.37	1.5"/50	345
HP15400	400	1500	3.9	0.13	1.5"/50	150
HP15450	450	1500	4.8	0.16	1.5"/50	195
HP15500	530	1500	6.0	0.20	1.5"/50	240
HP15600	630	1500	9.6	0.32	1.5"/50	325
HP15700	700	1500	11.0	0.37	1.5"/50	400
HP15800	800	1500	15.0	0.50	2"/63	500
HP15900	900	1500	19.2	0.64	2"/63	590

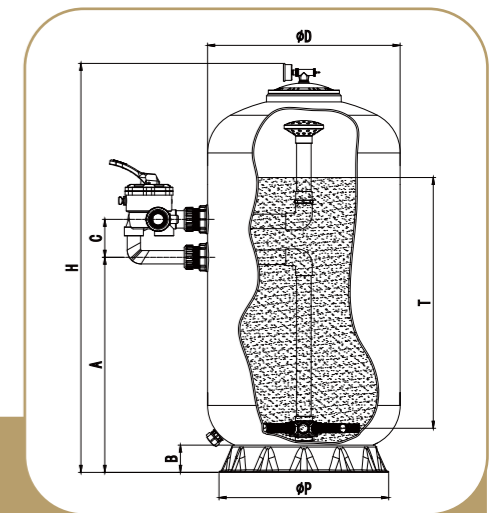
Model	HP13400	HP13450	HP13500	HP13600	HP13700	HP15400	HP15450	HP15500	HP15600	HP15700	HP15800	HP15900
ØD(mm)	400	450	530	630	700	400	450	530	630	700	800	900
H(mm)	1300	1300	1300	1300	1300	1500	1500	1500	1500	1500	1500	1500
A(mm)	1062	1062	1062	1062	1062	1262	1262	1262	1262	1262	1200	1200
B(mm)	75	75	75	95	95	75	75	75	95	95	150	150
M(mm)	1171	1171	1171	1171	1171	1371	1371	1371	1371	1371	1371	1371
N(mm)	1112	1112	1112	1112	1112	1312	1312	1312	1312	1312	1312	1312
ØP(mm)	390	390	390	565	565	390	390	390	565	565	790	790
T(mm)	650	650	650	630	630	850	850	850	830	830	700	700



HP13400~HP15900

Model	Filter Diameter (mm)	Filter Height (mm)	Design Flow (m³/h)	Filter Area (m²)	Connections (inch/mm)	Sand Weight (kg)
HPS10400	400	1160	4.5	0.13	1.5"/50	110
HPS10450	450	1160	5.6	0.16	1.5"/50	140
HPS10500	500	1160	7.0	0.20	1.5"/50	170
HPS10600	630	1160	11.2	0.32	1.5"/50	230
HPS10700	700	1160	13.0	0.37	1.5"/50	325
HPS13400	400	1360	3.9	0.13	1.5"/50	140
HPS13450	450	1360	4.8	0.16	1.5"/50	185
HPS13500	500	1360	6.0	0.20	1.5"/50	225
HPS13600	630	1360	9.6	0.32	1.5"/50	310
HPS13700	700	1360	11.0	0.37	1.5"/50	430

Model	HPS10400	HPS10450	HPS10500	HPS10600	HPS10700	HPS13400	HPS13450	HPS13500	HPS13600	HPS13700
ØD(mm)	400	450	500	630	700	400	450	500	630	700
H(mm)	1160	1160	1160	1160	1160	1360	1360	1360	1360	1360
A(mm)	660	660	660	660	660	860	860	860	860	860
B(mm)	75	75	75	95	95	75	75	75	95	95
C(mm)	125	125	125	125	125	125	125	125	125	125
ØP(mm)	390	390	390	565	565	390	390	390	565	565
T(mm)	600	600	600	580	580	800	800	800	780	780



HPS10400~HPS13700