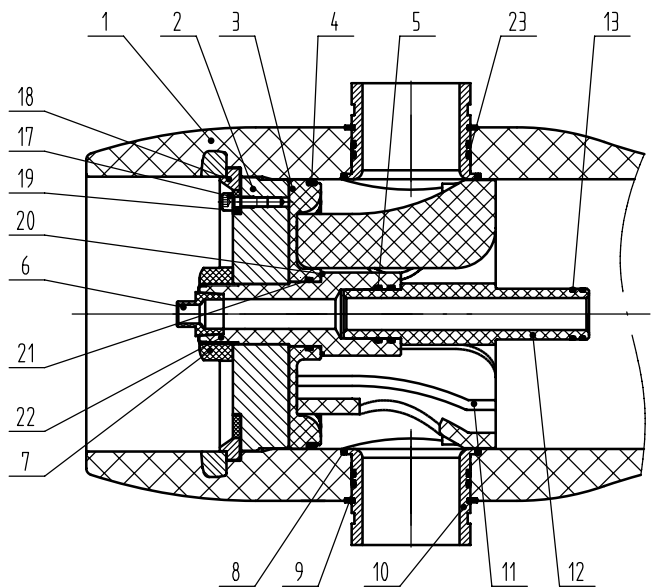


- 1 DESIGN PRESSURE 1000PSI(6.9MPa).
- 2 DESIGN TEMPERATURE 150°F(66°C).
- 3 MIN ALLOWABLE TEMPERATURE 20°F(-7°C).
- 4 WORKING MEDIUM,SEA WATER OR BRACKISHWATER,pH RANGE 3-11.
- 5 DIMENSIONS IN MM(INCHES APPROX).
- 6 INTERNAL PERMEATE PRESSURE NOT TO EXCEED 125PSI(0.88MPa).
- 7 THE QUANTITY OF ITEM NO.8 9 10 AND 23,DEPEND ON THE FEED/CONC. PORTS CONFIGURATION.
- 8 ITEM 11 CONCENTRATE SIDE ONLY.
- 9 ITEM 24 FEED SIDE ONLY.
- 10 PLEASE OPERATE IN ACCORDANCE WITH USER MANUAL.
- 11 FOR REFERENCE ONLY,NOT FOR CONSTRUCTION UNLESS CERTIFIED.
- 12 SPARE PARTS FORM JUST FOR REFERENCE,SPECIFIC FORM OF THE SPARE PART DRAWING PREVAIL,SUBJECT TO CHANGE WITHOUT NOTICE.
- 13 ALL PARTS CAN BE RECYCLED EXCEPT FRP SHELL.

24	A8023.1	Shim	0~3	Engineering Thermoplastic	
23	82.5x3.55G GB/T3452.1	O-ring	4~8	EPDM	
22	A8022.3	Permeate Port	2	Engineering Thermoplastic,316LSS Ring	
21	47.5x3.55G GB/T3452.1	O-ring	2	EPDM	
20	58x2.65G GB/T3452.1	O-ring	2	EPDM	
19	A8020	Securing Ring	2	Engineering Thermoplastic	
18	A8018.2	Lacking Kit Segment	2 Set	316SS	
17	GB/T70.1 M8x20	Securing Ring Screw	6	316SS	
16	A8016	Saddle	2~3	Rubber	
15	GB/T5782 M8x90	Strap Screw	4~6	316SS	
14	A8014.3	Strap	2~3	316SS-Brass and Rubber	
13	23.6x2.65G GB/T3452.1	O-ring	4	EPDM	
12	A8012.6	Adapter	2	Engineering Thermoplastic	
11	A8011.1	Thrust Ring	1	Engineering Thermoplastic	
10	S80100G(DZ)	3"Feed/Conc. Port	2~4	Super Duplex Stainless Steel	
09	A8009.4	Retaining Ring	2~4	316SS	
08	97.5x3.55G GB/T3452.1	O-ring	2~4	EPDM	
07	A8007	Permeate Port Locknut	2	Engineering Thermoplastic	
06	A8006	Plug	1	Engineering Thermoplastic	
05	36.5x3.55G GB/T3452.1	O-ring	4	EPDM	
04	190x5.3G GB/T3452.1	O-ring	2	EPDM	
03	A8003.3	Sealing Plate	2	Engineering Thermoplastic	
02	A8002.7	Bearing Plate	2	Aluminium Alloy-Hard anodized	
01	S8005.9-16	Pressure Shell	1	FRP-316SS Embedded Ring wound in place	
REF.	PART NUMBER	DESCRIPTION	QTY.	MATERIAL	NOTE



Shell length code	Shell number	L	P	S	Approx assembly weight (3"Feed/Conc. Port)
		L.O.A MM/IN	Port to port MM/IN	Span MM/IN	KG/LB
1	S8005.9	1620/63.8	1143/45	320/12.6	92/203
2	S8005.10	2636/103.8	2159/85	1336/52.6	109/240
3	S8005.11	3652/143.8	3175/125	2064/81.3	126/278
4	S8005.12	4668/183.8	4191/165	1600/63x2	143/315
5	S8005.13	5684/223.8	5207/205	2000/78.7x2	160/352
6	S8005.14	6700/263.8	6223/245	2358/92.8x2	177/390
7	S8005.15	7716/303.8	7239/285	2865/112.8x2	194/427
8	S8005.16	8732/343.8	8255/325	3373/132.8x2	211/465

ROPV

DESIGN: Harbin ROPV Industry Development Center

REVIEW: MODEL R8040B1000S (Large Opening) PRESSURE VESSEL

APPROVAL: DRG R8040B1000S-00(3") REV 10.2.3