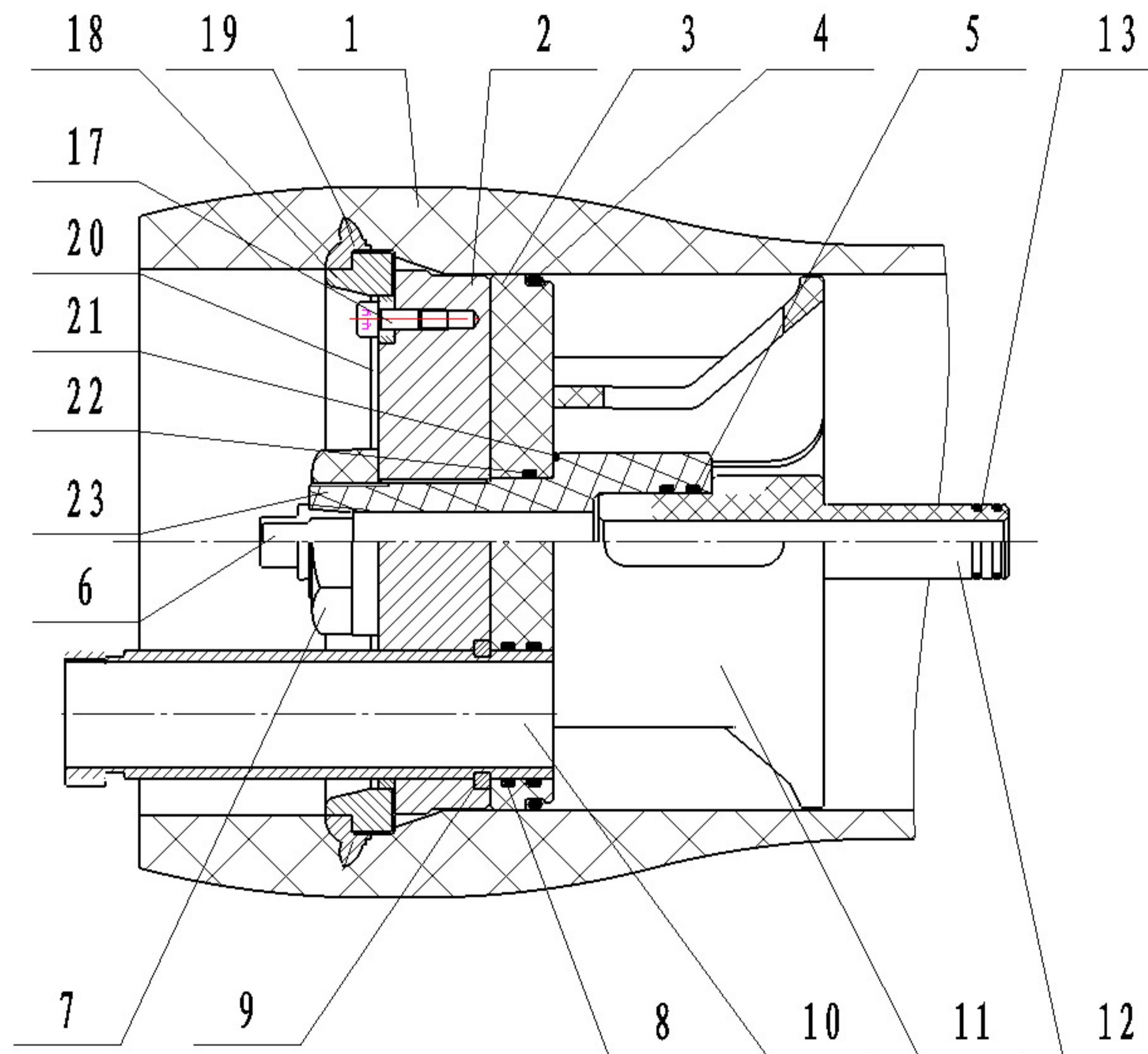


Ref.	Part Number	Description	Qty.	Material
1	8050.1-7	Pressure Shell	1	Epoxy FRP
2	8052	Bearing Plate	2	Aluminum alloy 6061-T6
3	8053	Sealing Plate	2	PVC/ABS
4	8038	O-Ring	2	EPDM
5	8040	O-Ring	4	EPDM
6	8013	Plug	1	ABS
7	8014.1	Permeate Port Locknut	2	ABS
8	8058	O-Ring	4	EPDM
9	8055	Feed/Conc. Port Fixture	4	304SST
10	80571	Feed/Conc. Port	2	2205SST
11	8022.4	Thrust Ring	1	ABS
12	8026	Adapter	2	ABS
13	8043	O-Ring	4	EPDM
14	8027.3	Strap	2-3	304SST
15	8029	Strap Screw	4-6	304SST
16	8032	Saddle	2-3	NR
17	8036	Securing Ring Screw	6	304SST
18	8034	Locking Kit Segment	6	Aluminum alloy
19	8097	Embedded Ring	2	316SST
20	8035	Securing Ring	2	Aluminum alloy
21	8062.1	O-Ring	2	EPDM
22	8058	O-Ring	2	EPDM
23	8064.3	Permeate Port	2	ABS



**WARNING:**

1. UNIT OF MEASURE INCHES/MM.
2. DRAWING DIMENSIONS ARE FOR REFERENCE ONLY.
3. PRECAUTIONS, USAGE GUIDELINES, AND USER GUIDE INTEGRAL TO DRAWING.
4. SUBJECT TO CHANGE WITHOUT NOTICE.
5. INTERNAL PERMEATE PRESSURE NOT TO EXCEED 125PSI (0.88Mpa).

Shell length code	Shell number	L L. O. A IN/MM	S Span IN/MM	Approx assembly weight LB/KG
1	8050.1	60.4/1534	28/700	128.3/57
2	8050.2	100.4/2550	57/1455	182.3/81
3	8050.3	140.4/3566	81/2064	236.3/105
4	8050.4	180.4/4582	63/1600 x2	288/128
5	8050.5	220.4/5598	79/2000 x2	342/152
6	8050.6	260.4/6614	93/2358 x2	396/176
7	8050.7	300.4/7630	113/2865 x2	450/200



**HARBIN ROPV**  
INDUSTRY DEVELOPMENT CENTER

ENGR	JINGBO AN 2005/6/15	MODEL	R80B 1000E
QTY	QIYUAN WANG 2005/6/16	DRG	R80B100E-00
MAKT	YOUQING LI 2005/6/16	REV	A