

# General Service Pressure Switches (931P Series)

## Applications

- Paper and food industry
- Shock & vibration application
- Corrode suspended solid
- Vicious or frozen medium
- Chemical & petrochemical
- Pumps, compressors and regulators
- Refining & marine industry

## Pressure Limitation

- Steady : full scale value
- Fluctuating : 0.9 of full scale value
- Short time : 1.3 of full scale value

## Operating Temperature

- Ambient : -20 ~ 65°C
- Media (Fluid) : + 100°C maximum



## Special Notes

1. Other Process Connections are available as option.

## Standard Specification Overview

### Dial Size

- Square Shape

### Repeatability

- $\pm 1.5\%$  of Full Scale

### Scale Ranges

- Vacuum, Compound & 0 ~ 35 MPa
- \* For more information, see the ordering information table.

### Process Connection

- PF ("G" in ISO) 3/8", PT ("R" in ISO) 1/2"

### Conduit Connection

- PF 3/8"

### Contact

- Micro Contact Type
- One SPDT or Two SPDT

### Dead Band

- 10% of Full Scale

### Material

- Case & Ring : Aluminum Alloy
- Connection : 316 SS
- Element (Bourdon Tube) : 316 SS

### Degree of Protection

- IP 54

### Switch Contacts

- AC 125V, 15A / 250V, 15A
- DC 30V, 6A / 125V 0.5A / 250V, 0.25A

### Optional Extra

- Test Report by Manufacturer
- Test Report by KOLAS (ILAC-MRA)
- Material Certificate (Mill Sheet)
- Mounting Bracket

## Ordering Information for 931P Series

● = Standard Products   ▲ = Available   NA = Not Available

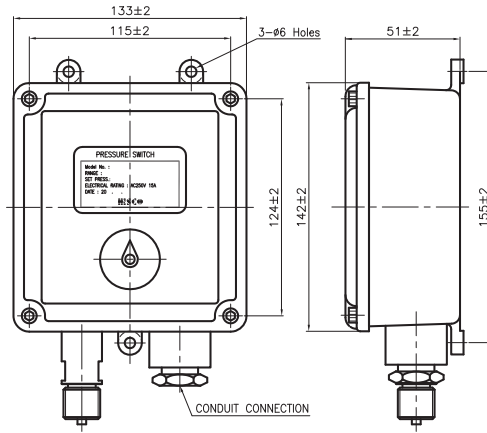
Model	Description	Case & Cover	Wetted Parts	
931P	General Service Pressure Switches	Aluminum Alloy	316 SS	
<b>Code</b>	<b>Dial Size</b>	<b>Repeatability</b>		
SQ	Square Shape	± 1.5% of F.S.		
<b>Code</b>	<b>Mounting Type</b>			<b>SQ</b>
B	Bottom Connection with Back Mounting Flange			●
<b>Code</b>	<b>Process Connection Style</b>			<b>SQ</b>
2	PT ("R" in ISO Standard)			●
3	PF ("G" in ISO Standard)			▲
4	NPT			▲
X	Others			☞
<b>Code</b>	<b>Process Connection Size</b>			<b>SQ</b>
D	3/8"			▲
F	1/2"			●
<b>Code</b>	<b>Pressure Range</b>	<b>S1 (1P)</b>	<b>S2 (2P)</b>	
001	-0.1 ~ 0 MPa	●	NA	
002	-0.1 ~ 0.1 MPa	●	NA	
003	-0.1 ~ 0.2 MPa	●	NA	
004	-0.1 ~ 0.3 MPa	●	NA	
005	-0.1 ~ 0.4 MPa	●	NA	
006	-0.1 ~ 0.6 MPa	●	NA	
007	-0.1 ~ 1 MPa	●	NA	
008	-0.1 ~ 1.5 MPa	●	NA	
009	-0.1 ~ 2 MPa	●	NA	
112	0 ~ 0.1 MPa	●	●	
113	0 ~ 0.2 MPa	●	●	
114	0 ~ 0.3 MPa	●	●	
115	0 ~ 0.4 MPa	●	●	
116	0 ~ 0.6 MPa	●	●	
118	0 ~ 1 MPa	●	●	
119	0 ~ 1.5 MPa	●	●	
120	0 ~ 2 MPa	●	●	
121	0 ~ 2.5 MPa	●	●	
122	0 ~ 3.5 MPa	●	●	
124	0 ~ 5 MPa	●	●	
126	0 ~ 7 MPa	●	●	
127	0 ~ 10 MPa	●	●	
128	0 ~ 15 MPa	●	●	
129	0 ~ 25 MPa	●	●	
130	0 ~ 35 MPa	●	●	

\* MPa (SI Unit) is the standard dial scale but others are available upon request.

Code	Contact Location	SQ
S1	One SPDT (Single Change - Over Contact)	●
S2	Two SPDT (Single Change - Over Contact)	●
Code	Applicable Accessory Options	
J0	Not Apply	
J1	Adapter	
J2	Gauge Unions	
J3	Syphon Tubes	
J4	Pulsation Dampeners	
J5	Pressure Snubber	
J7	Gauge Savers (Gauge Protectors)	
J8	Safety Kloser	
J9	Manifold Valves	
Code	Options	SQ
Test Reports		
T1	Test Report by Manufacturer	▲
T2	Test Report by KOLAS (ILAC-MRA)	▲
Other Option		
M1	Material Certificate (Mill Sheet)	▲
M2	Mounting Bracket	▲
Sample Model Selection : 931PSQB2D112S1J0		
* The standard specification and price are subject to change without prior notice.		

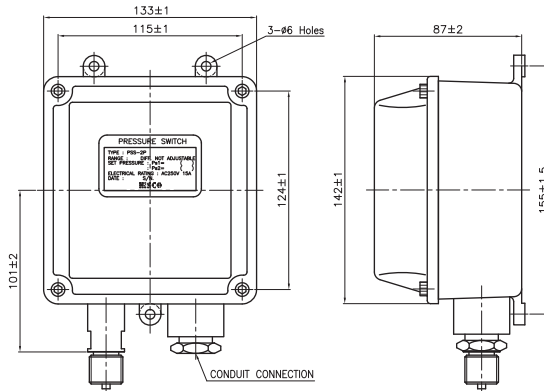
# General Service Pressure Switches (931P Series)

## Single Set point



TYPE B

## Dual Set point

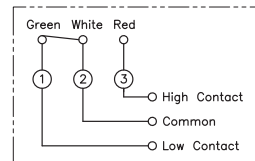
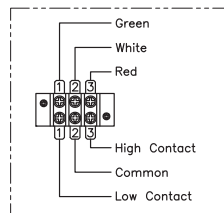


### • Ratings

[UNIT : mm]

Rated voltage	Resistive load
125VAC	5A
250VAC	3A

### • Pressure Switch Wiring Diagram



**HISCO** HISCO, INC.

32, Seonyu-ro 43-gil, Yeongdeungpo-gu, Seoul, Korea  
 T : 82-2-2677-6046 F : 82-2-2672-1873 <http://www.hiscoi.com>