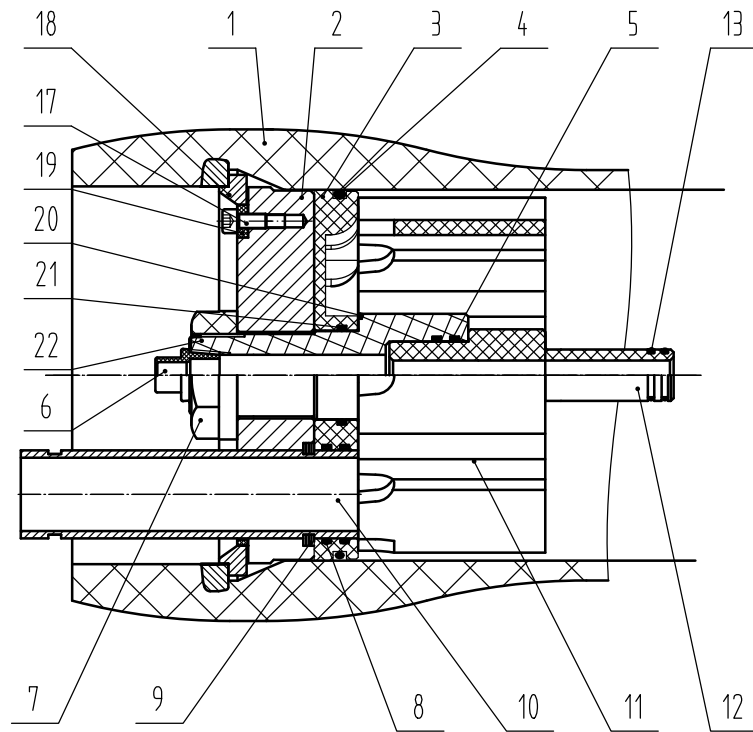


- 1 DESIGN PRESSURE 1200PSI(8.27MPa).
- 2 DESIGN TEMPERATURE 150°F(65°C).
- 3 MIN ALLOWABLE TEMPERATURE 14°F(-10°C).
- 4 WORKING MEDIUM,SEA WATER OR BRACKISHWATER,pH RANGE 3-11.
- 5 DIMENSIONS IN MM(INCHES APPROX).
- 6 INTERNAL PERMEATE PRESSURE NOT TO EXCEED 125PSI(0.88MPa).
- 7 ITEM 11 CONCENTRATE SIDE ONLY.
- 8 ITEM 23 FEED SIDE ONLY.
- 9 PLEASE OPERATE IN ACCORDANCE WITH USER MANUAL.
- 10 FOR REFERENCE ONLY,NOT FOR CONSTRUCTION UNLESS CERTIFIED.
- 11 SPARE PARTS FORM JUST FOR REFERENCE,SPECIFIC FORM OF THE SPARE PART DRAWING PREVAIL;SUBJECT TO CHANGE WITHOUT NOTICE.
- 12 ALL PARTS CAN BE RECYCLED EXCEPT FRP SHELL.



23	A8023.1 A8023.1C	Shim	0-4	Engineering Thermoplastic	
22	A8022.3	Permeate Port	2	Engineering Thermoplastic. 316LSS Ring	
21	47.5x3.55G GB/T3452.1	O-ring	2	EPDM	
20	58x2.65G GB/T3452.1	O-ring	2	EPDM	
19	A8020	Securing Ring	2	Engineering Thermoplastic	
18	A8018.2	Locking Kit Segment	2 Set	316SS	
17	GB/T70.1 M8x20	Locking Segment Screw	6	316SS	
16	A8016	Saddle	2-3	Rubber	
15	GB/T 5780 M8x90	Strap Screw	4-6	316SS	
14	A8014.3-B	Strap	2-3	316SS-Brass and Rubber	
13	23.6x2.65G GB/T3452.1	O-ring	4	EPDM	
12	A8012.3	Adapter	2	Engineering Thermoplastic	
11	A8011.4	Thrust Ring	1	Engineering Thermoplastic	
10	E80120D	Feed/Conc. Port	2	Super Duplex Stainless Steel	
09	A8009.1	Retaining Ring	4	316SS	
08	47.5x3.55G GB/T3452.1	O-ring	4	EPDM	
07	A8007	Permeate Port Locknut	2	Engineering Thermoplastic	
06	A8006	Plug	1	Engineering Thermoplastic	
05	36.5x3.55G GB/T3452.1	O-ring	4	EPDM	
04	190x5.3G GB/T3452.1	O-ring	2	EPDM	
03	A8003.1A	Parted Seating Plate	2	Engineering Thermoplastic	
02	A8002.9(16)	Bearing Plate	2	Aluminium Alloy-Hard anodized	S(16)
01	E8006.1-8	Pressure Shell	1	FRP-316SS Embeded ring wound in place	s
REF.	PART NUMBER	DESCRIPTION	QTY.	MATERIAL	NOTE

Shell length code	Shell number	L L.O.A MM/IN	S Span MM/IN	Approx assembly weight KG/LB
1	E8006.1	1534/60.4	500/19.7	60/135
2	E8006.2	2550/100.4	1455/57.3	82/185
3	E8006.3	3566/140.4	2064/81.3	104/234
4	E8006.4	4582/180.4	1600/63x2	126/284
5	E8006.5	5598/220.4	2000/78.7x2	148/333
6	E8006.6	6614/260.4	2358/92.8x2	170/383
7	E8006.7	7630/300.4	2865/112.8x2	192/432
8	E8006.8	8646/340.4	3373/132.8x2	214/482

<b>ROPV</b>	DESIGN	<b>Harbin ROPV Industrial Co.,Ltd.</b>	
	REVIEW	MODEL	R8040B1200E PRESSURE VESSEL
	APPROVAL	DRG	R8040B1200E-00
		REV	10.2.4A