

SINGLE FUNCTION PRESSURE CONTROLS

Type SNS & HNS

SAGINOMIYA

GENERAL DESCRIPTION

- For use with fluorinated refrigerants as well as with air and water. (Allowable fluid temp.: -20 to 120°C)
- Type SNS for universal application.
- Type HNS for high pressure safety cut out.
- Available drip proof enclosure for marine application or explosion proof enclosure for special application.
- Mounting bracket is supplied as standard.
- With SPDT contact mechanism.
- IP44 with upper lid (option).
- Stainless steel models are available upon request.

CE mark applicable (available upon request)

UL recognized (available upon request)



Type SNS



Type HNS

TYPE NUMBER SELECTION (SPECIFICATIONS)

Type SNS–Automatic Reset Type

Unit: MPa {kgf/cm²}

Catalog No.	Range		Differential		Factory Setting		Max. Working Pressure	Contact Function	Wt. (kg)
	Min.	Max.	Min.	Max.	Off (On)	On (Off)			
SNS-C101X	-0.06 {-50cmHg}	0.1 {1}	0.015 {0.15}	0.05 {0.5}	0.025 {0.25}	0.05 {0.5}	0.3 {3}	Diagram 1	0.33
SNS-C102X	-0.02 {-20cmHg}	0.2 {2}	0.025 {0.25}	0.15 {1.5}			0.5 {5}		
SNS-C103X	-0.06 {-50cmHg}	0.3 {3}	0.035 {0.35}	0.2 {2}	0.05 {0.5}	0.15 {1.5}	1 {10}		
SNS-C104X	-0.06 {-50cmHg}	0.4 {4}	0.04 {0.4}		0.1 {1}	0.2 {2}	1.5 {15}		
SNS-C106X	-0.06 {-50cmHg}	0.6 {6}	0.06 {0.6}	0.2 {2}	0.3 {3}				
SNS-C110X	0.1 {1}	1 {10}	0.1 {1}	0.3 {3}	0.4 {4}	0.6 {6}			
SNS-C120X	0.5 {5}	2 {20}	0.2 {2}	0.5 {5}	1.2 {12}	1.5 {15}	3 {30}		
SNS-C130X		3 {30}	0.3 {3}	1 {10}	2 {20}	2.5 {25}	3.3 {33}		
SNS-C135X	1 {10}	3.5 {35}	0.5 {5}	1.5 {15}	2.5 {25}	3 {30}	3.8 {38}		

Type SNS–Manual Reset Type

Unit: MPa {kgf/cm²}

Catalog No.	Range		Manual Reset	* Factory Setting		Max. Working Pressure	Contact Function	Wt. (kg)
	Min.	Max.		Off	On			
SNS-C102XM2	-0.02 {-20cmHg}	0.2 {2}	Automatic operation on pressure decrease, and manual reset.	0.025 {0.25}	manual reset	0.5 {5}	Diagram 2	0.33
SNS-C106XM2	-0.06 {-50cmHg}	0.6 {6}		0.2 {2}		1.5 {15}		
SNS-C130XM2	0.5 {5}	3 {30}		2 {20}		3.3 {33}		

* Based on the 1-3 terminal connection.

Type HNS–Automatic Reset Type

Unit: MPa {kgf/cm²}

Catalog No.	Range		Differential	* Factory Setting		Max. Working Pressure	Contact Function	Wt. (kg)
	Min.	Max.		Off	On			
HNS-C130X	0.8 {8}	3 {30}	0.3 to 0.5 fixed {3 to 5 fixed}	2 {20}	1.6 {16}	3.3 {33}	Diagram 3	0.24

* Based on the 1-3 terminal connection.

Type HNS–Manual Reset Type

Unit: MPa {kgf/cm²}

Catalog No.	Range		Manual Reset	* Factory Setting		Max. Working Pressure	Contact Function	Wt. (kg)
	Min.	Max.		Off	On			
HNS-C130XM1	0.8 {8}	3 {30}	Automatic operation on pressure increase, and manual reset.	2 {20}	manual reset	3.3 {33}	Diagram 4	0.24

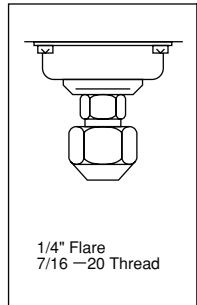
* Based on the 1-3 terminal connection.

- Enclosure: IP20
- Drip Proof Models: Available upon request. (Refer to Pages 46, 47.)

ELECTRICAL RATINGS

Rated Voltage (V)		Power Factor (cos φ)	125/250V. AC
Rated Amps. (A)			
Non-Inductive Current		1	12
Inductive Current	Full Load	0.75	
	Locked Rotor	0.45	72

PRESSURE CONNECTIONS



Standard

Refer to Pages 43, 44

CONTACT FUNCTIONS

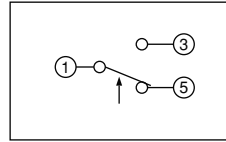


Diagram 1

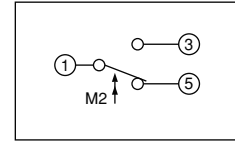


Diagram 2

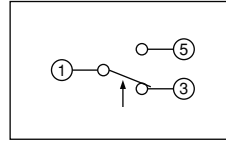


Diagram 3

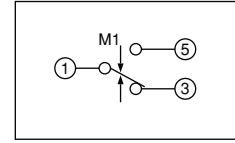


Diagram 4

	Diagram 1 & 2	Diagram 3 & 4
1	Common Terminal	Common Terminal
3	Close on Pressure Increase	Open on Pressure Increase
5	Close on Pressure Decrease	Open on Pressure Decrease

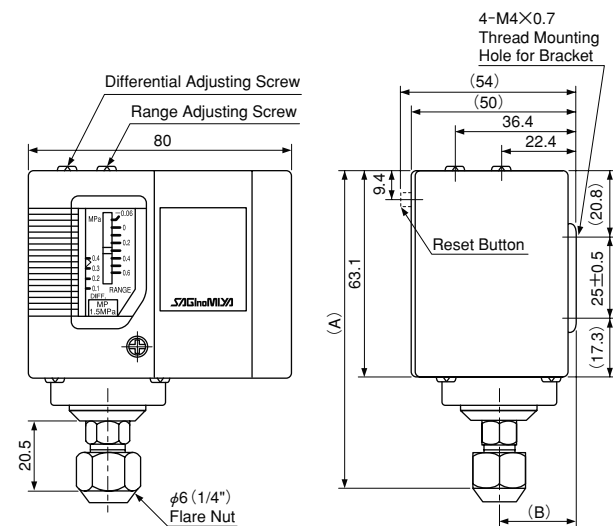
↑: Operating direction on press. increase at High Press. Side

M1 ↓, M2 ↑: Operating direction on manual reset

DIMENSIONS

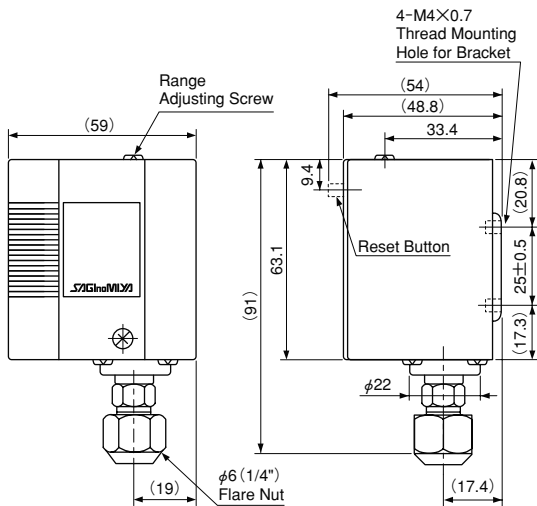
Standard Model

Type SNS



Catalog No.	Unit: mm	
	A	B
SNS-C101X	113.3	22.4
SNS-C102X	99.7	
SNS-C103X		
SNS-C104X		
SNS-C106X	96.8	
SNS-C110X	95.9	18.4
SNS-C120X		
SNS-C130X		
SNS-C135X	93.5	22.4
SNS-C102XM2	99.7	
SNS-C106XM2	96.8	
SNS-C130XM2	93.5	18.4

Type HNS



Unit: mm