

BONA

Water Purification

Products Catalogue for 2012

Bona

BONA WATER PURIFICATION

Add: No. 272 Gonghe North Road of Xindeng Town, Fuyang, Zhejiang, China.

Tel: 86-0571-63259906 63258368 63218277 (For English)

Fax: 86-0571-63254886

Post: 311404

E-mail: bonawater@263.net Http://www.bonawater.com



www.bonawater.com

杭州富阳博纳水净化设备有限公司

Enterprise Profile 公司简介

Hangzhou Fuyang Bona Water Purification Equipment Co., Ltd is a professional manufacturer of water treatment equipments, specializing in making stainless steel RO membrane housings, cartridge filter housings, bag filter housings, mechanical filter housings, water tank, heat exchanger, UV sterilizers and so on.

The factory is located in Xindeng, an ancient town of Fuyang Zhejiang. It covers more than 20000 square meters, in possession of more than 100 employees, among whom there are 40 technical workers. Having been developing for more than ten years, the company has become a professional factory specializing in designing, manufacturing and selling liquid filtration equipments. And it was approved by ISO9001:2000 quality management system in 2007. We also fetch in capable people and adopt occident advanced technology to improve ourselves in strict mode of manufacturing, managing and quality controlling. So far, our products are approved not only in Chinese market ,but also in overseas markets like Europe, America, Japan, Korea, Middle East and so on.

Gain all strong points, Absorb wide witness, BONA people open their hearts and join hands with all friends to build brilliant tomorrow together!



杭州富阳博纳水净化设备有限公司是一家专业的水处理设备配件生产厂家，公司专业生产不锈钢膜壳，精密过滤器，袋式过滤器，机械过滤器，无菌水箱，热交换器，紫外线杀菌器，滤芯滤袋等。

公司座落于浙江省富阳市的千年古镇“新登”。占地面积20000多平方米，拥有在职员工100多人，包括高级技工40余名。经过十几年的发展，公司已成为集设计、生产、销售于一体的规模化专业生产厂家。公司已于2007年通过了ISO9001:2000质量管理体系认证。另外，我们还注重引进人才，采用国外先进的生产技术，本着“严格生产，严格管理，严格保质”的态度不断进步。目前我们产品除中国市场外，主要远销中东，欧美，韩国，日本等海外市场，备受业内企业的青睐。

“博采众长，海纳百川”，博纳人敞开心怀，愿与新老朋友携手共创灿烂的明天！

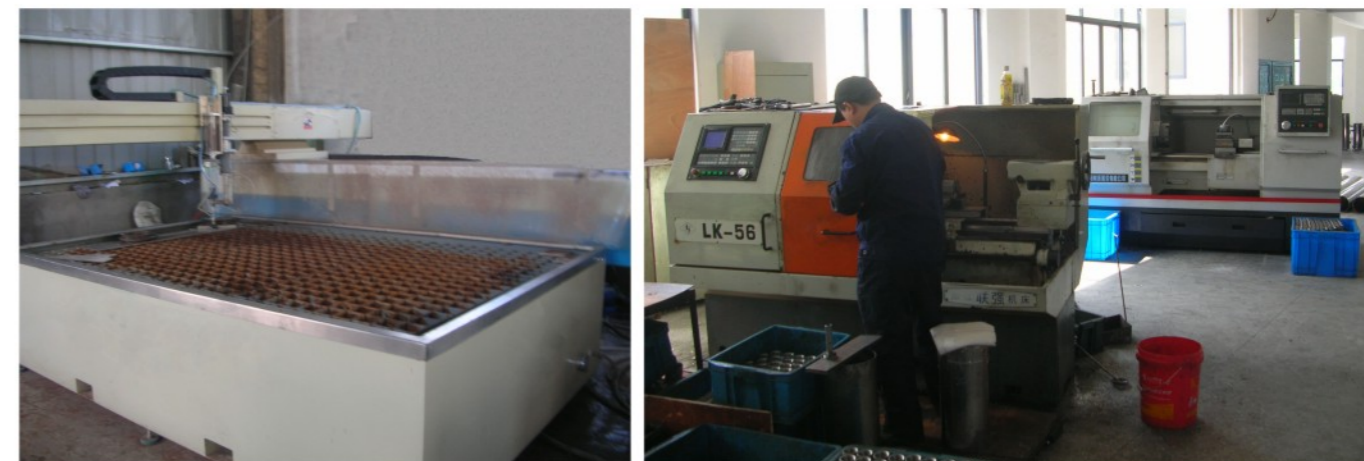


Table Of Contents 目录索引

RO Membrane Housing 不锈钢膜壳	
BN1-R040	2
BN2-R040	3
BN3-R040	4
BN5-R040	5
BN6-R080	6
BN7-R080	7
BN8-R080	8
BN9-R083	9
Cartridge Filter Housing 精滤器	
BN1	10
BN2	11
BN3	12
BN4	13
BN5	14
BN6	15
BN7 A型 B型	16
BN7 C型	17
Big flow filter 大流量过滤器	
BN8-Filter Housing	18
BN9-Filter Housing	19
Sanitary Cartridge Filter Housing 卫生级精滤器	
1RS	20
DL-RS	21
Bag Filter Housing 袋式过滤器	
BFL	22
BFH	23
BFC	24
BFM	25
Mechanical Filter 机械过滤器	26
Ion Exchanger 离子交换器	27
Softening Vessel 软化罐	
Without Legs Type	28
With Legs Type	29
Water Tank 水箱	30
Heat exchanger 热交换器	31
Coupling 卡套	32



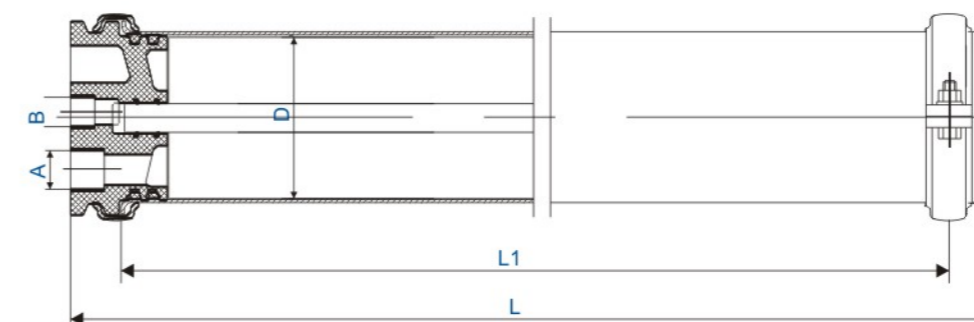
BN1-R040不锈钢膜壳

- 1、材质SUS304,SUS316L;
- 2、端盖材质ABS,SUS304,SUS316L;
- 3、最大工作压力250Psi;
- 4、表面抛光处理或拉丝处理。

BN1-R040 Stainless Steel RO Membrane Housing

Material: SUS304, SUS316L;
Material of end cap: ABS; SUS304; SUS316L;
Max working pressure 250Psi;
Polished or brushing external surface.

Standard specifications



Model	L (mm)	L1 (mm)	D (mm)	A (in)	B (out)
BN1-2514	414	360	φ 62	1/4 "	1/4 "
BN1-2521	592	538	φ 62	3/8 "	1/4 "
BN1-2540	1082	1028	φ 62	3/8 "	3/8 "
BN1-4014	428	368	φ 102	1/2 "	1/2 "
BN1-4021	605	545	φ 102	1/2 " 3/4 "	1/2 "
BN1-4040	1087	1027	φ 102	1/2 " 3/4 "	1/2 "
BN1-4080	2103	2043	φ 102	3/4 "	1/2 "
BN1-40120	3119	3059	φ 102	3/4 "	1/2 "
BN1-40160	4135	4075	φ 102	3/4 "	1/2 "



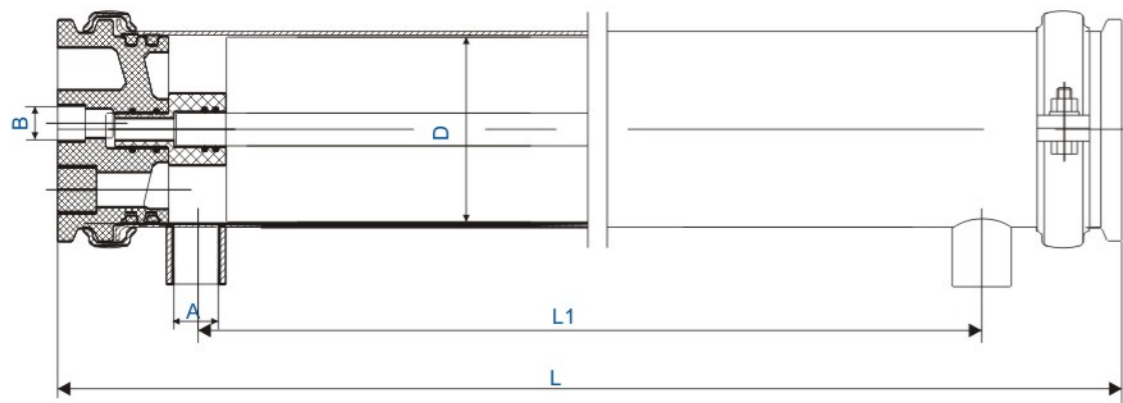
BN2-R040 不锈钢膜壳

- 1、材质SUS304,SUS316L;
- 2、端盖材质ABS,SUS304,SUS316L;
- 3、最大工作压力250Psi;
- 4、表面抛光处理或拉丝处理。

**BN2-R040
Stainless Steel RO Membrane Housing**

Material:SUS304,SUS316L;
Material of end cap:ABS;SUS304;SUS316L;
Max working pressure 250Psi;
Polished or brushing external surface.

Standard specifications



Model	L (mm)	L1 (mm)	D (mm)	A (in)	B (out)
BN2-2521	655	511	φ 62	1/2 "	1/4 "
BN2-2540	1136	994	φ 62	1/2 "	3/8 "
BN2-4021	668	515	φ 102	3/4 "	1/2 "
BN2-4040	1148	998	φ 102	3/4 "	1/2 "
BN2-4080	2164	2014	φ 102	3/4 "	1/2 "
BN2-40120	3180	3030	φ 102	3/4 "	1/2 "
BN2-40160	4196	4046	φ 102	3/4 "	1/2 "



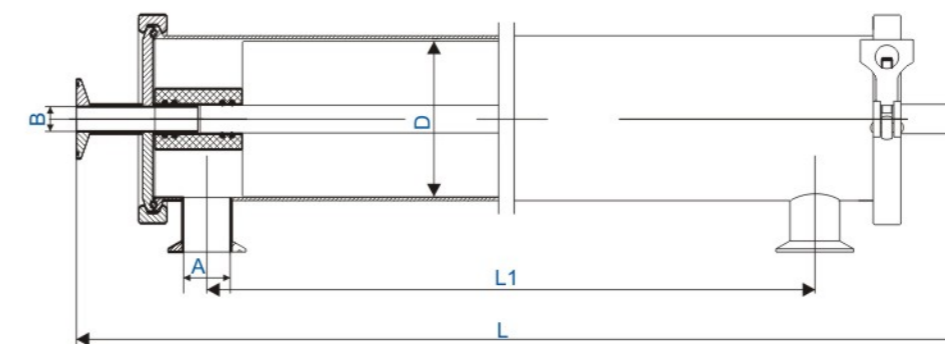
BN3-R040 不锈钢膜壳

1. 材质 SUS304,SUS316L;
2. 最大工作压力 400 Psi;
3. 表面抛光处理或拉丝处理。

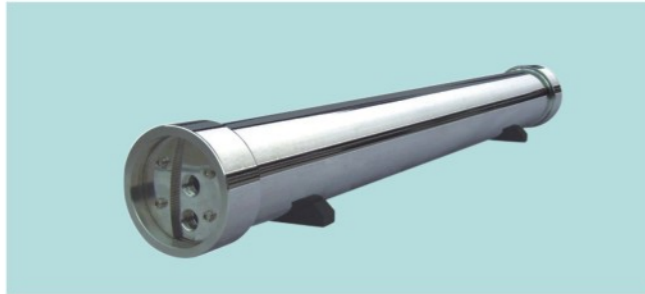
**BN3-R040
Stainless Steel RO Membrane Housing**

Material: SUS304, SUS316L;
Max working pressure 400 Psi;
Polished or brushing external surface.

Standard specifications



Model	L (mm)	L1 (mm)	D (mm)	A (in)	B (out)
BN3-4040	1176	1010	φ 102	1 "	3/4 "
BN3-4080	2192	2026	φ 102	1 "	3/4 "
BN3-40120	3208	3042	φ 102	1 1/4 "	3/4 "
BN3-40160	4224	4058	φ 102	1 1/2 "	3/4 "



BN5-RO40 不锈钢膜壳

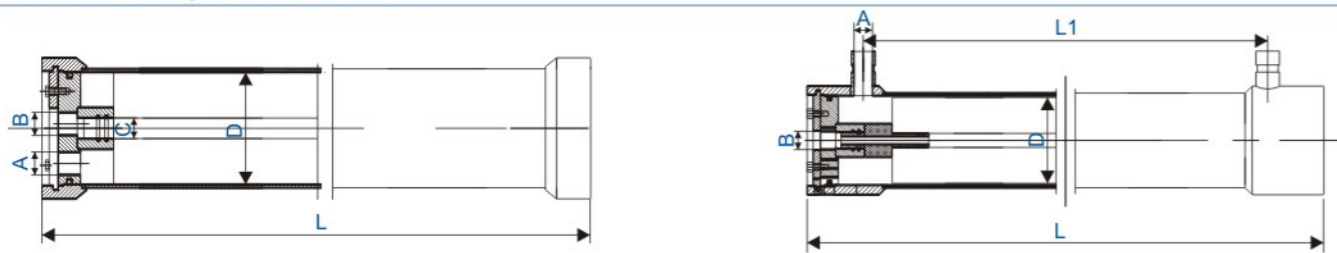
1. 材质 SUS304,SUS316L;
2. 最大工作压力 1000Psi;
3. 表面抛光处理或拉丝处理。



**BN5-RO40:
End-in type and Side-in type
Stainless Steel RO Membrane Housing**

Material: SUS304, SUS316L;
Max working pressure 1000 Psi;
Polished or brushing external surface .

Standard specifications



Model	L (mm)	C (mm)	D (mm)	A (in)	B (out)
BN5-4021-E	612	φ 19.5	φ 102	1/2 " 3/4 "	1/2 "
BN5-4040-E	1094	φ 19.5	φ 102	1/2 " 3/4 "	1/2 "
BN5-4080-E	2110	φ 19.5	φ 102	3/4 "	1/2 "
BN5-40120-E	3126	φ 19.5	φ 102	3/4 "	1/2 "
BN5-40160-E	4142	φ 19.5	φ 102	3/4 "	1/2 "

Model	L (mm)	L1 (mm)	D (mm)	A (in)	B (out)
BN5-2540-S	1162	1034	φ 62	1/2 " -3/4 "	1/2 "
BN5-4021-S	730	602	φ 102	3/4 " -1 "	1/2 "
BN5-4040-S	1212	1084	φ 102	3/4 " -1 "	1/2 "
BN5-4080-S	2228	2100	φ 102	3/4 " -1 "	1/2 "
BN5-40120-S	3244	3116	φ 102	3/4 " -1 "	1/2 "
BN5-40160-S	4260	4132	φ 102	3/4 " -1 "	1/2 "



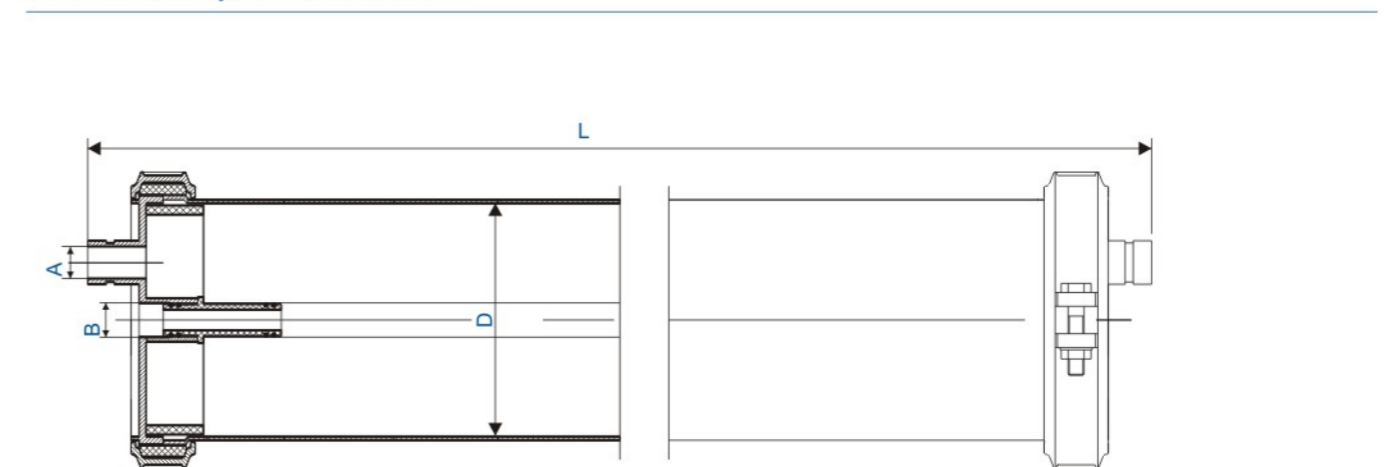
BN6-RO80 不锈钢膜壳

1. 材质 SUS304,SUS316L;
2. 最大工作压力 300Psi;
3. 表面抛光处理或亚光处理。

**BN6-RO80
Stainless Steel RO Membrane Housing**

Material: SUS304, SUS316L;
Max working pressure 300 Psi;
Polished or sandblast external surface .

Standard specifications



Model	L (mm)	D (mm)	A (in)	B (out)
BN6-8040	1174	φ 203	1- 1/2 "	1 "
BN6-8080	2190	φ 203	1- 1/2 "	1 "
BN6-80120	3206	φ 203	1- 1/2 "	1 "
BN6-80160	4222	φ 203	1- 1/2 "	1 "
BN6-80200	5238	φ 203	1- 1/2 "	1 "
BN6-80240	6254	φ 203	1- 1/2 "	1 "



BN7-RO80 不锈钢膜壳

1. 材质 SUS304, SUS316L;
2. 最大工作压力 300 Psi;
3. 表面抛光处理或亚光处理。

**BN7-RO80:
Stainless Steel RO Membrane Housing**

Material: SUS304, SUS316L;
Max working pressure 300 Psi;
Polished or sandblast external surface .



BN8-RO80 不锈钢膜壳

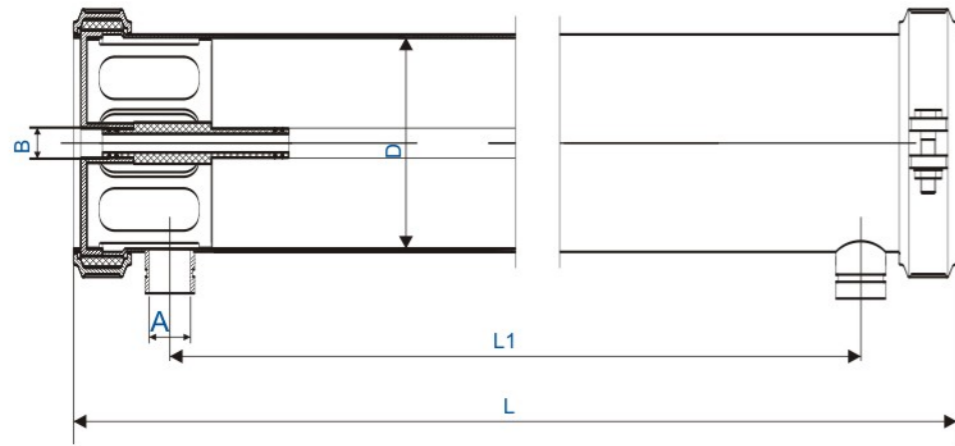
1. 材质SUS304, SUS316L;
2. 最大工作压力 1000 Psi;
3. 表面抛光处理或亚光处理。

**BN8-RO80
Victaulic-port type and Tri-clover port type
Stainless Steel RO Membrane Housing**

Material: SUS304, SUS316L;
Max working pressure 1000 Psi;
Polished or sandblast external surface.

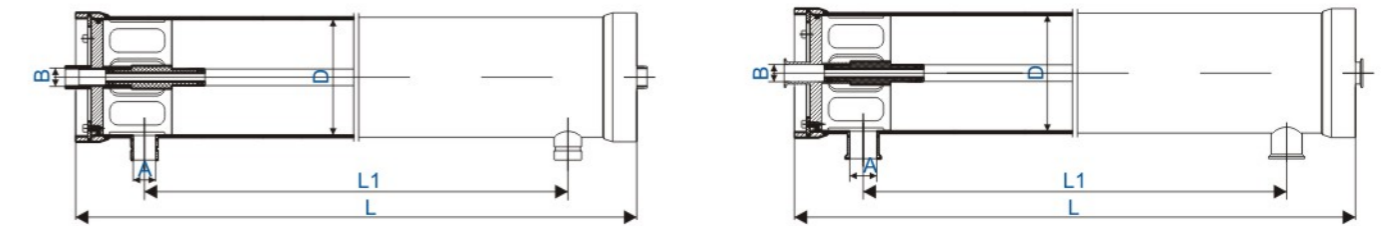


Standard specifications



Model	L (mm)	L1 (mm)	D (mm)	A (in)	B (out)
BN7-8040	1288	1101	φ 203	1 1/2 " -3 "	1 "
BN7-8080	2304	2117	φ 203	1 1/2 " -3 "	1 "
BN7-80120	3320	3133	φ 203	1 1/2 " -3 "	1 "
BN7-80160	4336	4149	φ 203	1 1/2 " -3 "	1 "
BN7-80200	5352	5165	φ 203	1 1/2 " -3 "	1 "
BN7-80240	6368	6181	φ 203	1 1/2 " -3 "	1 "

Standard specifications



Model	L (mm)	L1 (mm)	D (mm)	A (in)	B (out)
BN8-8040-V	1359	1119	φ 203	1 1/2 " -3 "	1 "
BN8-8080-V	2375	2135	φ 203	1 1/2 " -3 "	1 "
BN8-80120-V	3391	3151	φ 203	1 1/2 " -3 "	1 "
BN8-80160-V	4407	4167	φ 203	1 1/2 " -3 "	1 "
BN8-80200-V	5423	5183	φ 203	1 1/2 " -3 "	1 "
BN8-80240-V	6439	6199	φ 203	1 1/2 " -3 "	1 "

Model	L (mm)	L1 (mm)	D (mm)	A (in)	B (out)
BN8-8040-T	1359	1119	φ 203	1 1/2 " -3 "	1 " -1/2 "
BN8-8080-T	2375	2135	φ 203	1 1/2 " -3 "	1 " -1/2 "
BN8-80120-T	3391	3151	φ 203	1 1/2 " -3 "	1 " -1/2 "
BN8-80160-T	4407	4167	φ 203	1 1/2 " -3 "	1 " -1/2 "
BN8-80200-T	5423	5183	φ 203	1 1/2 " -3 "	1 " -1/2 "
BN8-80240-T	6439	6199	φ 203	1 1/2 " -3 "	1 " -1/2 "



BN9-RO83 不锈钢膜壳

1. 材质SUS304, SUS316L;
2. 最大工作压力 1000 Psi;
3. 表面抛光处理或亚光处理。

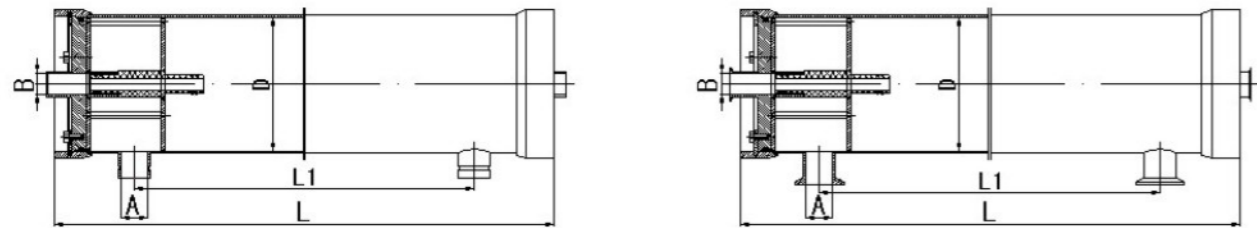


BN9-RO83

Victaulic-port type and Tri-clover port type Stainless Steel RO Membrane Housing

- Material: SUS304, SUS316L;
Max working pressure 1000 Psi;
Polished or sandblast external surface.

Standard specifications



Model	L (mm)	L1 (mm)	D (mm)	A (in)	B (out)
BN9-8338-V	1308	1068	φ 213	1 1/2 " -3 "	1 "
BN9-8376-V	2273	2033	φ 213	1 1/2 " -3 "	1 "
BN9-83152-V	3238	2998	φ 213	1 1/2 " -3 "	1 "
BN9-83304-V	4204	3964	φ 213	1 1/2 " -3 "	1 "
BN9-83608-V	5169	4929	φ 213	1 1/2 " -3 "	1 "
BN9-831216-V	6134	5894	φ 213	1 1/2 " -3 "	1 "

Model	L (mm)	L1 (mm)	D (mm)	A (in)	B (out)
BN9-8338-T	1308	1068	φ 213	1 1/2 " -3 "	1 " -1/2 "
BN9-8376-T	2273	2033	φ 213	1 1/2 " -3 "	1 " -1/2 "
BN9-83152-T	3238	2998	φ 213	1 1/2 " -3 "	1 " -1/2 "
BN9-83304-T	4204	3964	φ 213	1 1/2 " -3 "	1 " -1/2 "
BN9-83608-T	5169	4929	φ 213	1 1/2 " -3 "	1 " -1/2 "
BN9-831216-T	6134	5894	φ 213	1 1/2 " -3 "	1 " -1/2 "

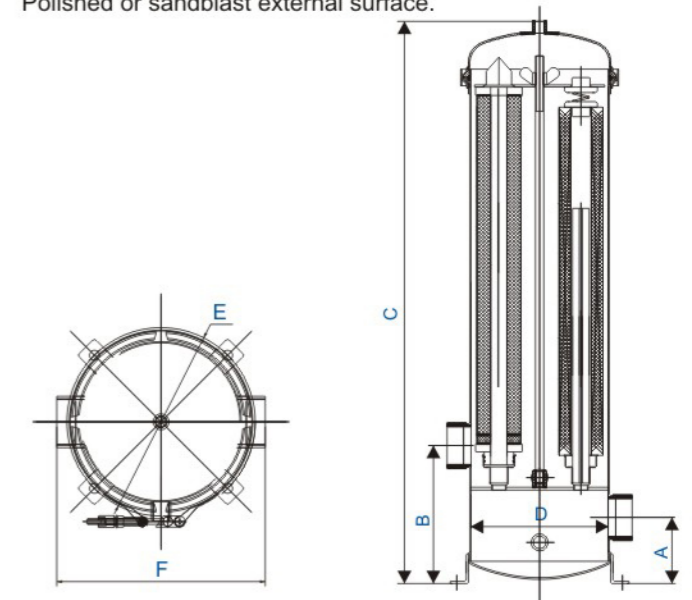


BN1- 精滤器

1. 材质 SUS304, SUS316L;
2. 最大工作压力 100 Psi;
3. 表面抛光处理或亚光处理。

BN1- Cartridge Filter Housing

- Material: SUS304, SUS316L;
Max working pressure 100 Psi
Polished or sandblast external surface.



Standard specifications

Model	A (mm)	B (mm)	C (mm)	D (mm)	E (mm)	F (mm)	In/Out	Drain
BN1-W3L1	120	220	600	φ 170	φ 216	230	1 " -1 1/2 "	1/4 " -1/2 "
BN1-W3L2	120	220	850	φ 170	φ 216	230	1 " -1 1/2 "	1/4 " -1/2 "
BN1-W3L3	120	220	1100	φ 170	φ 216	230	1 " -2 "	1/4 " -1/2 "
BN1-W3L4	120	220	1350	φ 170	φ 216	230	1 " -2 "	1/4 " -1/2 "
BN1-W5L1	120	220	610	φ 200	φ 248	260	1 " -1 1/2 "	1/4 " -1/2 "
BN1-W5L2	120	220	860	φ 200	φ 248	260	1 " -1 1/2 "	1/4 " -1/2 "
BN1-W5L3	120	220	1110	φ 200	φ 248	260	1 " -2 "	1/4 " -1/2 "
BN1-W5L4	120	220	1360	φ 200	φ 248	260	1 " -2 "	1/4 " -1/2 "
BN1-W7L1	120	220	620	φ 250	φ 310	310	1 1/2 " -2 "	1/2 "
BN1-W7L2	120	220	870	φ 250	φ 310	310	1 1/2 " -2 "	1/2 "
BN1-W7L3	120	220	1120	φ 250	φ 310	310	1 1/2 " -2 1/2 "	1/2 "
BN1-W7L4	120	220	1370	φ 250	φ 310	310	1 1/2 " -2 1/2 "	1/2 "

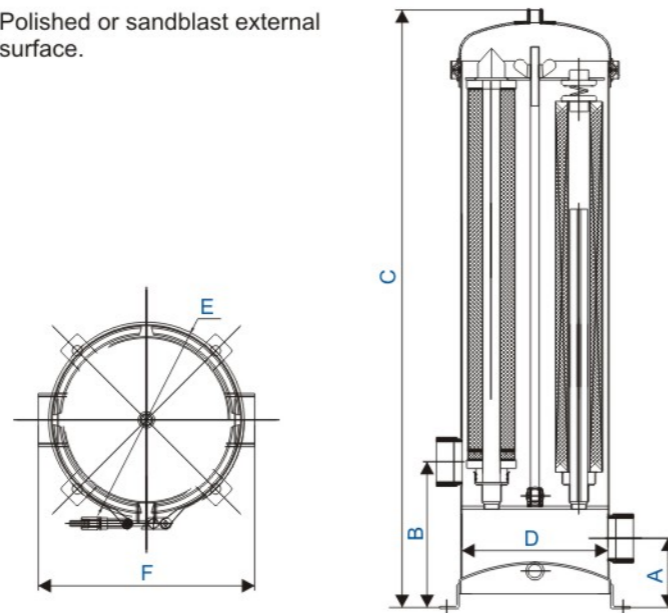


BN2- 精滤器

1. 材质 SUS304, SUS316L;
2. 最大工作压力 100 Psi;
3. 表面抛光处理或亚光处理。

BN2-Cartridge Filter Housing

Material: SUS304, SUS316L;
 Max working pressure 100 Psi
 Polished or sandblast external surface.



Standard specifications

Model	A (mm)	B (mm)	C (mm)	D (mm)	E (mm)	F (mm)	In/Out	Drain
BN2-W3L1	75	180	550	φ170	φ216	230	1" -1 1/2"	1/4" -1/2"
BN2-W3L2	75	180	800	φ170	φ216	230	1" -1 1/2"	1/4" -1/2"
BN2-W3L3	75	180	1050	φ170	φ216	230	1" -2"	1/4" -1/2"
BN2-W3L4	75	180	1300	φ170	φ216	230	1" -2"	1/4" -1/2"
BN2-W5L1	75	180	560	φ200	φ248	260	1" -1 1/2"	1/4" -1/2"
BN2-W5L2	75	180	810	φ200	φ248	260	1" -1 1/2"	1/4" -1/2"
BN2-W5L3	75	180	1060	φ200	φ248	260	1" -2"	1/4" -1/2"
BN2-W5L4	120	220	1360	φ200	φ248	260	1" -2"	1/4" -1/2"
BN2-W7L1	120	220	620	φ250	φ310	310	1 1/2" -2"	1/2"
BN2-W7L2	120	220	870	φ250	φ310	310	1 1/2" -2"	1/2"
BN2-W7L3	120	220	1120	φ250	φ310	310	1 1/2" -2 1/2"	1/2"
BN2-W7L4	120	220	1370	φ250	φ310	310	1 1/2" -2 1/2"	1/2"

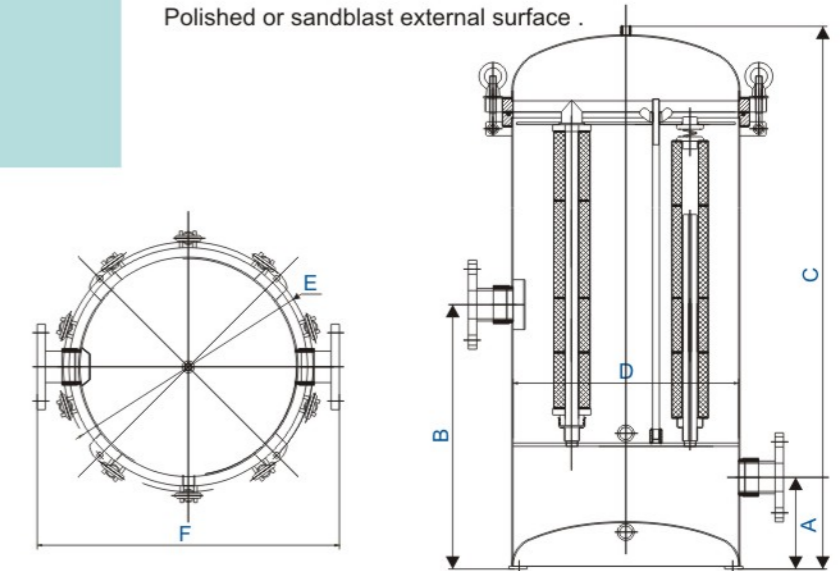


BN3- 精滤器

1. 材质 SUS304, SUS316L;
2. 最大工作压力 100 Psi;
3. 表面抛光处理或亚光处理。

BN3-Cartridge Filter Housing

Material: SUS304, SUS316L;
 Max design working pressure 100 Psi;
 Polished or sandblast external surface.



Standard specifications

Model	A (mm)	B (mm)	C (mm)	D (mm)	E (mm)	F (mm)	In/Out	Drain
BN3-W5L3	80	180	1090	φ200	φ248	344	1 1/2" -2"	1/2"
BN3-W5L4	80	180	1340	φ200	φ248	344	1 1/2" -2"	1/2"
BN3-W7L3	120	600	1160	φ250	φ310	410	1 1/2" -2"	1/2"
BN3-W7L4	120	800	1410	φ250	φ310	410	1 1/2" -2"	1/2"
BN3-W11L3	150	600	1170	φ300	φ360	460	2" -3"	1/2"
BN3-W11L4	150	800	1420	φ300	φ360	460	2" -3"	1/2"
BN3-W15L3	150	600	1180	φ350	φ410	530	2" -3"	3/4"
BN3-W15L4	150	800	1430	φ350	φ410	530	2" -3"	3/4"
BN3-W20L3	150	600	1190	φ400	φ460	560	2" -4"	3/4"
BN3-W20L4	150	800	1440	φ400	φ460	560	2" -4"	3/4"
BN3-W27L3	150	600	1200	φ450	φ510	630	2" -4"	1"
BN3-W27L4	150	800	1450	φ450	φ510	630	2" -4"	1"

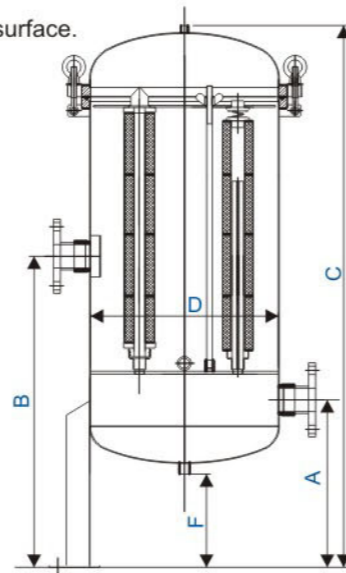
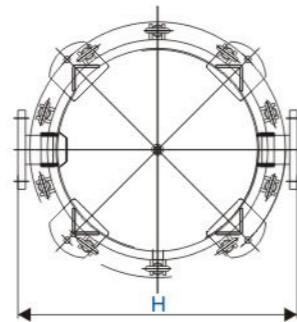


BN4- 精滤器

1. 材质 SUS304, SUS316L;
2. 最大工作压力 150 Psi;
3. 表面抛光处理或亚光处理。

BN4-Cartridge Filter Housing

Material: SUS304, SUS316L;
 Max working pressure 150 Psi;
 Polished or sandblast external surface.



Standard specifications

Model	A (mm)	B (mm)	C (mm)	D (mm)	F (mm)	H (mm)	In/Out	Drain
BN4-W5L3	250	600	1250	φ200	120	340	1 1/2" -2"	1/2"
BN4-W5L4	250	700	1500	φ200	120	340	1 1/2" -2"	1/2"
BN4-W7L3	300	700	1300	φ250	150	390	1 1/2" -2"	1/2"
BN4-W7L4	300	800	1550	φ250	150	390	1 1/2" -2"	1/2"
BN4-W11L3	360	700	1380	φ300	200	440	2" -3"	3/4"
BN4-W11L4	360	900	1620	φ300	200	440	2" -3"	3/4"
BN4-W15L3	380	800	1420	φ350	200	530	2" -3"	3/4"
BN4-W15L4	380	900	1660	φ350	200	530	2" -3"	3/4"
BN4-W20L3	400	800	1460	φ400	200	560	2" -4"	3/4"
BN4-W20L4	400	900	1700	φ400	200	560	2" -4"	3/4"
BN4-W27L3	460	800	1530	φ450	250	630	2" -4"	3/4"
BN4-W27L4	460	1000	1770	φ450	250	630	2" -4"	3/4"

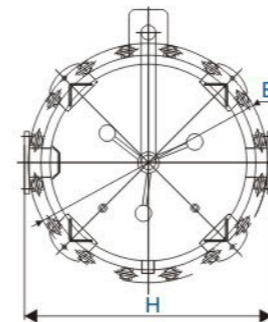
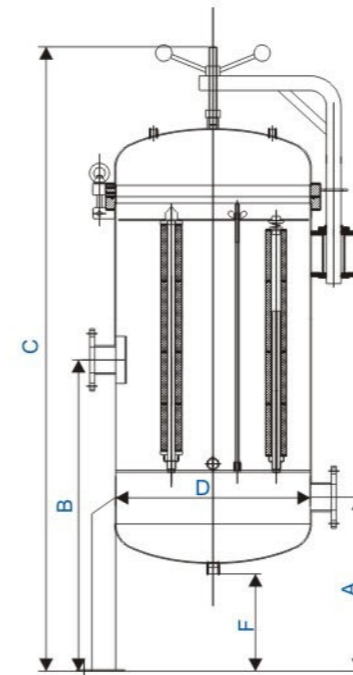


BN5- 精滤器

1. 材质 SUS304, SUS316L;
2. 最大工作压力 150 Psi;
3. 表面抛光处理或亚光处理。

BN5-Cartridge Filter Housing

Material: SUS304, SUS316L;
 Max design working pressure 150 Psi
 Polished or sandblast external surface.



Model	A (mm)	B (mm)	C (mm)	D (mm)	F (mm)	E (mm)	H (mm)	In/Out	Drain
BN5-W15L3	370	800	1580	φ350	200	φ350	490	1 1/2" -2"	1/2"
BN5-W15L4	370	900	1830	φ350	200	φ350	490	1 1/2" -2"	1/2"
BN5-W20L3	390	900	1630	φ400	200	φ400	560	2" -3"	3/4"
BN5-W20L4	390	1000	1880	φ400	200	φ400	560	2" -3"	3/4"
BN5-W27L3	460	900	1680	φ450	250	φ450	610	2" -4"	3/4"
BN5-W27L4	460	1100	1930	φ450	250	φ450	610	2" -4"	3/4"
BN5-W30L3	480	900	1740	φ500	250	φ500	660	2" -4"	1"
BN5-W30L4	480	1100	1990	φ500	250	φ500	660	2" -4"	1"
BN5-W36L3	500	900	1780	φ550	250	φ550	710	2.5" -4"	1"
BN5-W36L4	500	1100	2030	φ550	250	φ550	710	2.5" -4"	1"
BN5-W40L3	560	1000	1850	φ600	300	φ600	760	2 1/2" -4"	1"
BN5-W40L4	560	1200	2100	φ600	300	φ600	760	2 1/2" -4"	1"
BN5-W50L3	580	1000	1880	φ650	300	φ650	810	3" -4"	1"
BN5-W50L4	580	1200	2130	φ650	300	φ650	810	3" -4"	1"
BN5-W60L3	590	1000	1900	φ700	300	φ700	880	3" -5"	1"
BN5-W60L4	590	1200	2150	φ700	300	φ700	880	3" -5"	1"
BN5-W75L3	610	1000	1950	φ750	300	φ750	950	3" -5"	1-1/2"
BN5-W75L4	610	1250	2200	φ750	300	φ750	950	3" -5"	1-1/2"
BN5-W80L3	620	1100	1970	φ800	300	φ800	1000	4" -6"	1-1/2"
BN5-W80L4	620	1250	2220	φ800	300	φ800	1000	4" -6"	1-1/2"
BN5-W90L3	650	1100	2140	φ850	300	φ850	1000	4" -6"	1-1/2"
BN5-W90L4	650	1250	2390	φ850	300	φ850	1000	4" -6"	1-1/2"
BN5-W100L3	670	1100	2070	φ900	300	φ900	1140	4" -6"	1-1/2"
BN5-W100L4	670	1350	2320	φ900	300	φ900	1140	4" -6"	1-1/2"
BN5-W120L3	750	1200	2170	φ1000	350	φ1000	1240	4" -6"	1-1/2"
BN5-W120L4	750	1400	2420	φ1000	350	φ1000	1240	4" -6"	1-1/2"
BN5-W140L3	830	1300	2350	φ1100	350	φ1100	1400	4" -6"	2"
BN5-W140L4	830	1500	2600	φ1100	350	φ1100	1400	4" -6"	2"
BN5-W160L3	860	1300	2400	φ1200	350	φ1200	1500	6" -10"	2"
BN5-W160L4	860	1500	2650	φ1200	350	φ1200	1500	6" -10"	2"



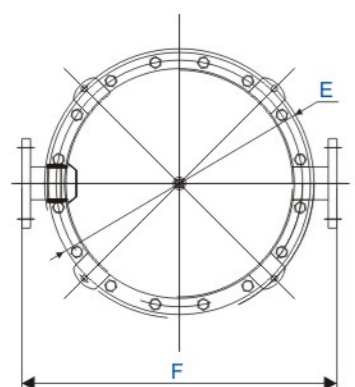
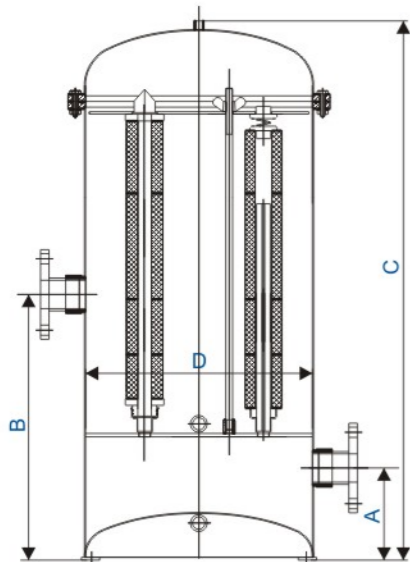
BN6- 精滤器

1. 材质 SUS304, SUS316L;
2. 最大工作压力 150 Psi;
3. 表面抛光处理或亚光处理.

BN6-Cartridge Filter Housing

- Material: SUS304, SUS316L;
 Max working pressure 150Psi;
 Polished or sandblast external surface .

Model	A (mm)	B (mm)	C (mm)	D (mm)	E (mm)	F (mm)	In/Out	Drain
BN6-W5L3	75	180	1060	φ200	φ250	320	1" -2"	1/4"
BN6-W5L4	75	180	1310	φ200	φ250	320	1" -2"	1/2"
BN6-W7L3	80	180	1120	φ250	φ310	390	1 1/2" -2"	1/2"
BN6-W7L4	80	180	1370	φ250	φ310	390	1 1/2" -2"	1/2"
BN6-W11L3	150	600	1170	φ300	φ360	440	2" -3"	1/2"
BN6-W11L4	150	800	1420	φ300	φ360	440	2" -3"	1/2"
BN6-W15L3	150	600	1180	φ350	φ410	490	2" -3"	3/4"
BN6-W15L4	150	800	1430	φ350	φ410	490	2" -3"	3/4"
BN6-W20L3	150	600	1190	φ400	φ460	560	2" -4"	3/4"
BN6-W20L4	150	800	1440	φ400	φ460	560	2" -4"	3/4"
BN6-W27L3	150	600	1200	φ450	φ510	610	2" -4"	3/4"
BN6-W27L4	150	800	1450	φ450	φ510	610	2" -4"	3/4"
BN6-W30L3	150	600	1220	φ500	φ560	660	2" -4"	1"
BN6-W30L4	150	800	1470	φ500	φ560	660	2" -4"	1"
BN6-W36L3	150	600	1240	φ550	φ610	730	2 1/2" -4"	1"
BN6-W36L4	150	800	1490	φ550	φ610	730	2 1/2" -4"	1"
BN6-W40L3	150	700	1320	φ600	φ660	760	2 1/2" -4"	1"
BN6-W40L4	150	900	1570	φ600	φ660	760	2 1/2" -4"	1"
BN6-W50L3	150	700	1330	φ650	φ710	830	3" -4"	1"
BN6-W50L4	150	900	1580	φ650	φ710	830	3" -4"	1"
BN6-W60L3	150	700	1340	φ700	φ760	880	3" -5"	1"
BN6-W60L4	150	900	1590	φ700	φ760	880	3" -5"	1"
BN6-W75L3	200	700	1360	φ750	φ810	950	3" -5"	1-1/2"
BN6-W75L4	200	900	1610	φ750	φ810	950	3" -5"	1-1/2"
BN6-W80L3	200	700	1380	φ800	φ880	1000	4" -6"	1-1/2"
BN6-W80L4	200	900	1630	φ800	φ880	1000	4" -6"	1-1/2"
BN6-W90L3	200	700	1380	φ850	φ910	1000	4" -6"	1-1/2"
BN6-W90L4	200	900	1630	φ850	φ910	1000	4" -6"	1-1/2"
BN6-W100L3	200	700	1400	φ900	φ980	1140	4" -6"	1-1/2"
BN6-W100L4	200	900	1650	φ900	φ980	1140	4" -6"	1-1/2"
BN6-W120L3	250	800	1480	φ1000	φ1080	1240	4" -6"	1-1/2"
BN6-W120L4	250	1000	1730	φ1000	φ1080	1240	4" -6"	1-1/2"
BN6-W140L3	250	800	1510	φ1100	φ1180	1400	4" -6"	2"
BN6-W140L4	250	1000	1760	φ1100	φ1180	1400	4" -6"	2"
BN6-W160L3	250	800	1560	φ1200	φ1280	1500	6" -10"	2"
BN6-W160L4	250	1000	1810	φ1200	φ1280	1500	6" -10"	2"



BN7- 单芯滤器

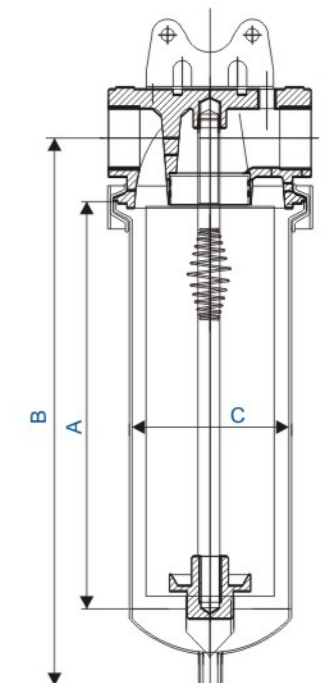
1. 材质 SUS304, SUS316L;
2. 最大工作压力 100 Psi;
3. 表面抛光处理或亚光处理.

BN7-Single Cartridge Filter Housing

- Material: SUS304, SUS316L;
 Max working pressure 100 Psi;
 Polished or sandblast external surface .

Standard specifications

Model	A (mm)	B (mm)	C (mm)	In/Out
BN7-10"	275	355	φ89	3/4" ,1"
BN7-20"	525	605	φ89	3/4" ,1"
BN7-30"	775	855	φ89	1"
BN7-40"	1025	1105	φ89	1"





BN7-C 型



BN7- 单芯滤器

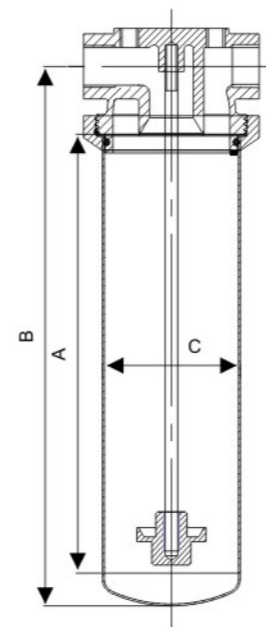
1. 材质 SUS304, SUS316L;
2. 最大工作压力 100 Psi;
3. 表面抛光处理或亚光处理。

BN7-Single Cartridge Filter Housing

Material: SUS304, SUS316L;
Max working pressure 100 Psi;
Polished or sandblast external surface .

Standard specifications

Model	A (mm)	B (mm)	C (mm)	In/Out
BN7-10"	280	345	φ 88	3/4 " ,1 "
BN7-20"	534	599	φ 88	3/4 " ,1 "
BN7-30"	788	853	φ 88	1 "
BN7-40"	1042	1107	φ 88	1 "



BN8- 过滤器

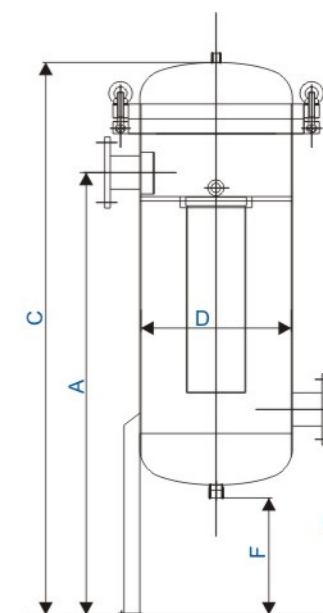
1. 材质 SUS304, SUS316L;
2. 最大工作压力 150 Psi;
3. 表面抛光处理或亚光处理。

BN8-Filter Housing

Material: SUS304, SUS316L;
Max working pressure 150 Psi;
Polished or sandblast external face.

Standard specifications

Model	A (mm)	B (mm)	C (mm)	D (mm)	F (mm)	In/Out	Drain
BN8-1×40"	1410	330	1530	φ 200	200	1 1/2" -2 "	1/2 "
BN8-2×40"	1540	450	1730	φ 450	250	1 1/2" -3 "	3/4 "
BN8-3×40"	1570	480	1800	φ 500	250	2" -4 "	3/4 "
BN8-5×40"	1660	560	1850	φ 600	300	3" -4 "	1 "





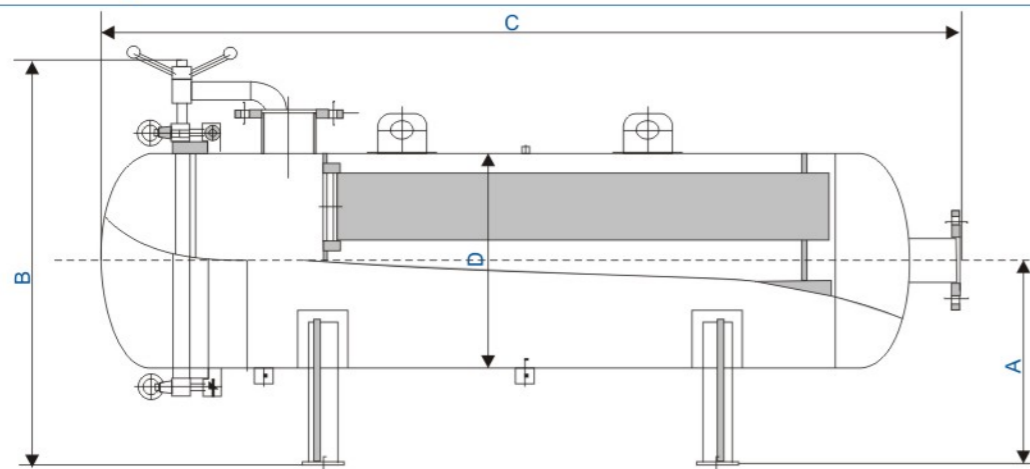
BN9- 过滤器

1. 材质 SUS304, SUS316L;
2. 最大工作压力 150 Psi;
3. 表面抛光处理或亚光处理。

BN9-Filter Housing

Material: SUS304, SUS316L;
Max working pressure 150 Psi;
Polished or sandblast external face.

Standard specifications



Model	A (mm)	B (mm)	C (mm)	D (mm)	F (mm)	In/Out	Drain
BN8-1×40"	350	530	1270	φ200	200	2" -3"	1/2"
BN8-2×40"	500	960	1670	φ450	250	3" -4"	1"
BN8-3×40"	580	1070	1810	φ500	250	4" -6"	1"
BN8-5×40"	610	1125	1835	φ550	300	5" -6"	1"

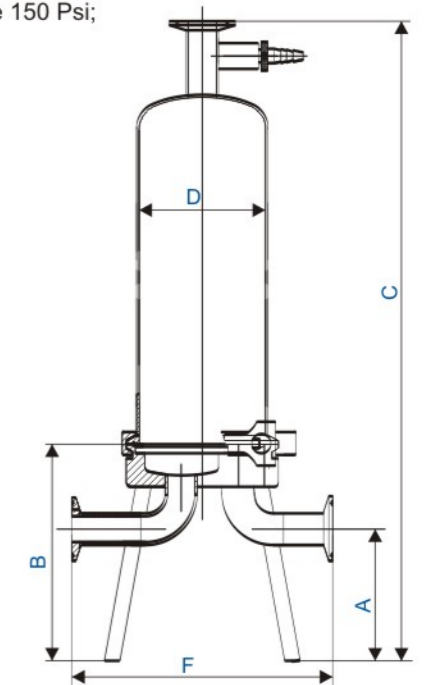


单芯卫生级过滤器

1. 材质SUS304, SUS316L;
2. 最大工作压力150Psi;
3. 表面抛光处理。

1RS

Material: SUS304, SUS316L;
Max working pressure 150 Psi;
Polished finishing.



Standard specifications

Model	A (mm)	B (mm)	C (mm)	D (mm)	F (mm)	In/Out
1RS1	102	165	560	φ102	200	1/2" -1"
1RS2	102	165	810	φ102	200	1/2" -1"
1RS3	102	165	1060	φ102	200	1/2" -1"

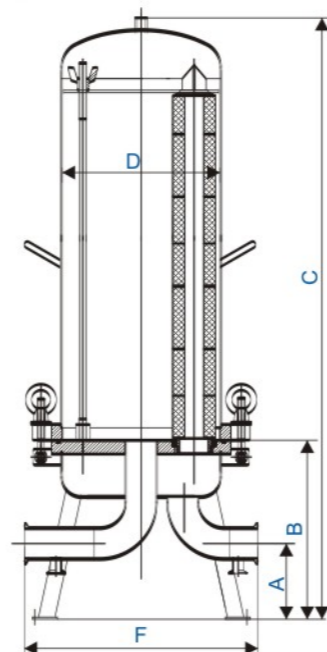


多芯卫生级过滤器

1. 材质SUS304, SUS316L;
2. 最大工作压力150 Psi;
3. 表面抛光处理。

DL-RS

Material: SUS304, SUS316L;
Max working pressure 150 Psi;
Polished finishing.



Standard specifications

Model	A (mm)	B (mm)	C (mm)	D (mm)	F (mm)	In/Out
3RS3	100	180	1160	φ 200	300	1-1/2 "
6RS3	100	250	1160	φ 250	400	1-1/2 "
8RS3	100	265	1175	φ 300	440	2 "
10RS3	100	265	1175	φ 300	440	2 "
12RS3	120	330	1240	φ 350	490	3 "
16RS3	120	350	1260	φ 450	540	3 "
20RS3	120	360	1270	φ 500	590	3 "
22RS3	150	440	1350	φ 550	640	4 "

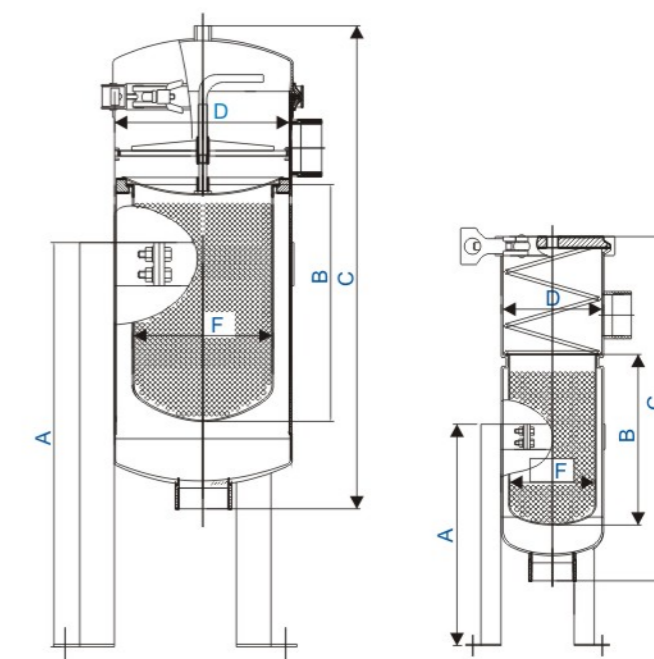


BFL 袋滤器

1. 材质 SUS304, SUS316L;
2. 最大工作压力 100 Psi;
3. 表面抛光处理或亚光处理。

BFL-Bag Filter Housing

Material: SUS304, SUS316L;
Max working pressure 100 Psi;
Polished or sandblast external surface.



Standard specifications

Model	A (mm)	B (mm)	C (mm)	D (mm)	F (mm)	In/Out
BFL-1	500	380	700	φ 200	φ 170	1 " -4 "
BFL-2	700	720	1050	φ 200	φ 170	1 " -4 "
BFL-3	350	190	400	φ 114	φ 97	3/4 " -2 "
BFL-4	500	340	540	φ 114	φ 97	3/4 " -2 "

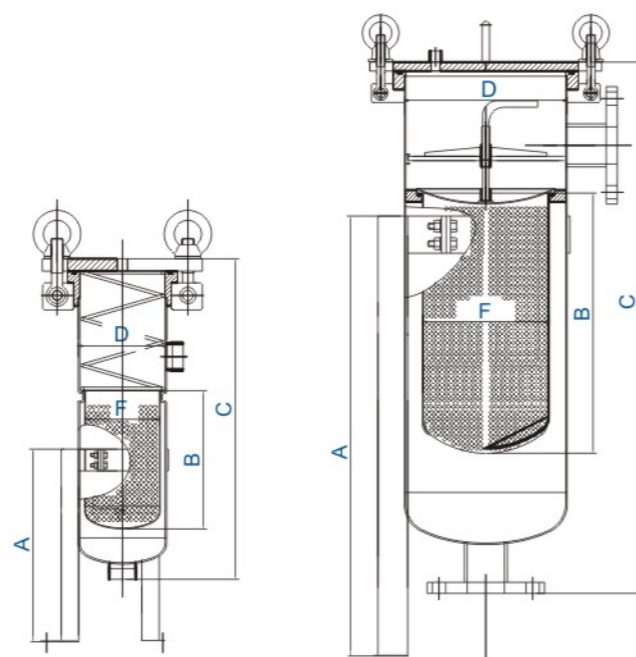


BFH袋滤器

1. 材质 SUS304, SUS316L;
2. 最大工作压力 150 Psi;
3. 表面抛光处理或亚光处理。

BFH-Bag Filter Housing

Material: SUS304, SUS316L;
 Max working pressure 150 Psi;
 Polished or sandblast external surface .



Standard specifications

Model	A (mm)	B (mm)	C (mm)	D (mm)	F (mm)	In/Out
BFH-1	500	380	720	φ 219	φ 170	1" -4"
BFH-2	700	720	1070	φ 219	φ 170	1" -4"
BFH-3	350	190	430	φ 114	φ 97	3/4" -2"
BFH-4	500	340	580	φ 114	φ 97	3/4" -2"

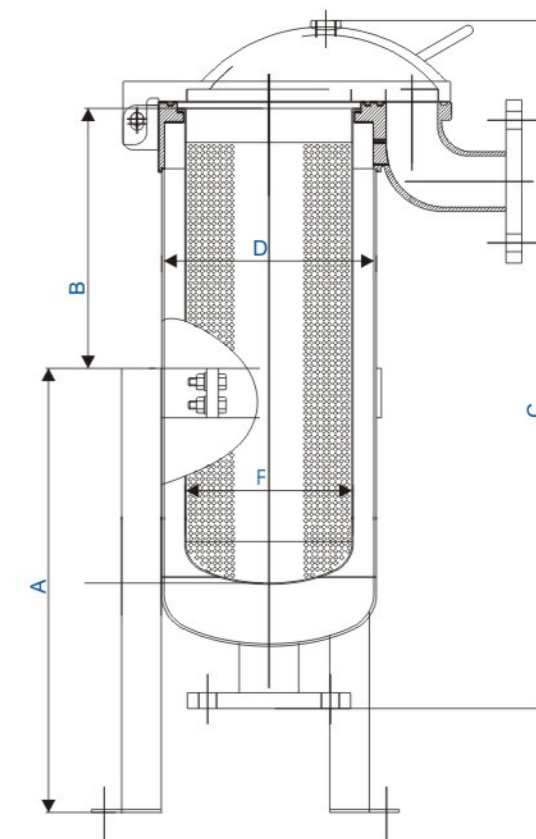


BFC 袋滤器

1. 材质 SUS304, SUS316L;
2. 最大工作压力 300 Psi;
3. 亚光处理。

BFC-Bag Filter Housing

Material: SUS304, SUS316L;
 Max working pressure 300 Psi;
 Sandblast external surface.



Standard specifications

Model	A (mm)	B (mm)	C (mm)	D (mm)	F (mm)	In/Out
BFC-1	500	380	620	φ 219	φ 170	2"
BFC-2	700	720	960	φ 219	φ 170	2"

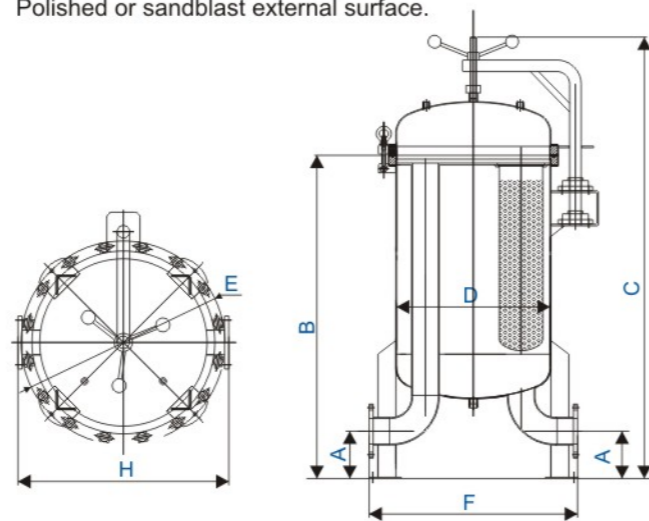


BFM 袋滤器

1. 材质 SUS304, SUS316L;
2. 最大工作压力 150 Psi;
3. 表面抛光处理或亚光处理。

BFM-Bag Filter Housing

Material: SUS304, SUS316L;
 Max working pressure 150 Psi;
 Polished or sandblast external surface.



Standard specifications

Model	A (mm)	B (mm)	C (mm)	D (mm)	F (mm)	E (mm)	H (mm)	In/Out	Flowrate m ³ /h	NO.Bags
BFM-450-2F	108	1100	1430	φ450	590	φ450	590	3"	60	2
BFM-500-3F	150	1190	1540	φ500	640	φ500	640	4"	90	3
BFM-550-4F	150	1200	1560	φ550	690	φ550	690	4"	120	4
BFM-600-4F	150	1250	1630	φ600	740	φ600	760	5"	120	4
BFM-600-5F	150	1250	1630	φ600	740	φ600	760	5"	150	5
BFM-650-5F	180	1350	1740	φ650	790	φ650	830	6"	150	5
BFM-700-6F	200	1380	1780	φ700	840	φ700	860	6"	180	6
BFM-750-8F	200	1460	1920	φ750	910	φ750	930	8"	240	8
BFM-850-9F	200	1470	1950	φ850	960	φ850	980	8"	270	9
BFM-900-10F	250	1550	2050	φ900	1060	φ900	1100	8"	300	10
BFM-1000-12F	250	1570	2100	φ1000	1160	φ1000	1200	8"	360	12
BFM-1100-16F	250	1600	2150	φ1100	1260	φ1100	1400	8"	480	16
BFM-1200-18F	300	1780	2350	φ1200	1360	φ1200	1500	10"	540	18

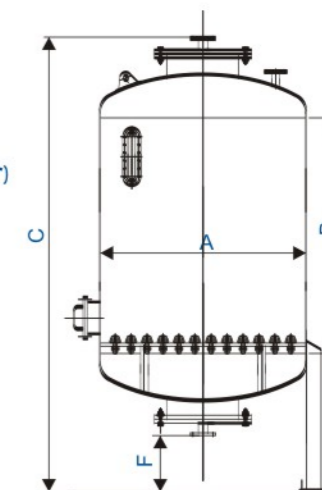


机械过滤器

1. 材质 SUS304, SUS316L; Q235;
2. 最大设计工作压力 100 Psi;
3. 表面抛光处理或亚光处理。

Mechanical Filter (Sand Filter & Active Carbon Filter)

Material: SUS304, SUS316L, Q235;
 Max design working pressure 100 Psi;
 Polished or sandblast external surface.



Standard specifications

Model	A (mm)	B (mm)	C (mm)	F (mm)	In/Out	Vent
300X1200	φ300	1200	1800	300	1"	3/4"
400X1500	φ400	1500	2150	300	1"	3/4"
500X1500	φ500	1500	2230	300	1-1/4"	1"
600X1500	φ600	1500	2290	300	1-1/4"	1"
700X1500	φ700	1500	2340	300	1-1/2"	1"
800X1500	φ800	1500	2390	300	1-1/2"	1"
900X1500	φ900	1500	2600	300	1-1/2"	1"
1000X1500	φ1000	1500	2750	400	1-1/2"	1"
1100X1500	φ1100	1500	2800	400	2"	1-1/4"
1200X1500	φ1200	1500	2850	400	2"	1-1/4"
1400X1500	φ1400	1500	2950	400	2"	1-1/4"
1500X1800	φ1500	1800	3360	400	2"	1-1/4"
1600X1800	φ1600	1800	3500	400	2-1/2"	1-1/2"
1800X1800	φ1800	1800	3610	400	2-1/2"	1-1/2"
2000X1800	φ2000	1800	3710	400	3"	1-1/2"
2200X1800	φ2200	1800	3810	400	3"	1-1/2"
2500X2000	φ2500	2000	3860	400	3"	1-1/2"

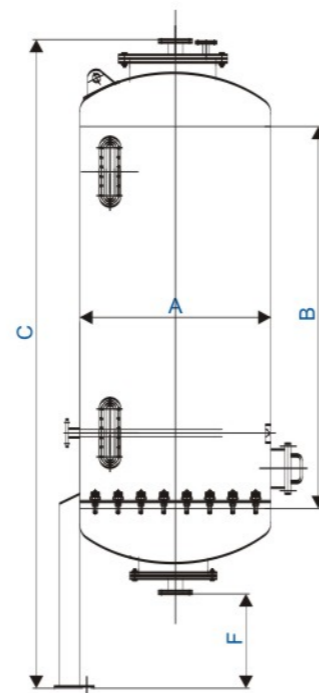


离子交换器

1. 材质 SUS304, SUS316L; Q235;
2. 最大工作压力 100 Psi;
3. 表面抛光处理或亚光处理。

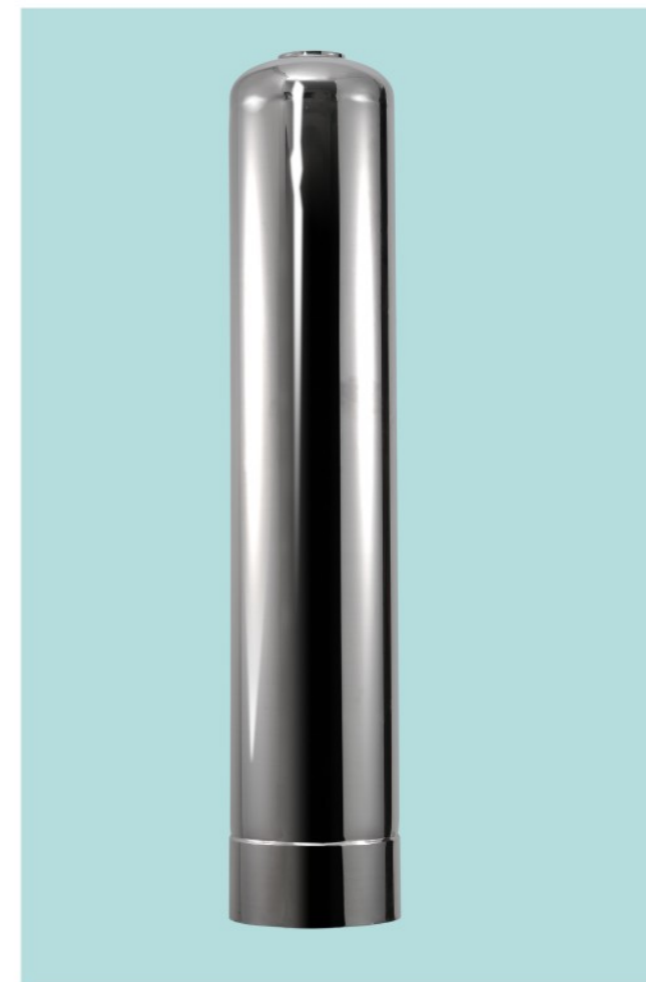
Ion Exchanger

Material: SUS304, SUS316L; Q235;
Max working pressure 100 Psi;
Polished or sandblast external surface.



Standard specifications

Model	A (mm)	B (mm)	C (mm)	F (mm)	In/Out	Vent
300X2000	φ 300	2000	2640	300	1 "	3/4 "
400X2000	φ 400	2000	2690	300	1 "	3/4 "
500X2000	φ 500	2000	2760	300	1-1/4 "	1 "
600X2000	φ 600	2000	3100	300	1-1/4 "	1 "
700X2000	φ 700	2000	3150	300	1-1/2 "	1 "
800X2000	φ 800	2000	3210	300	1-1/2 "	1 "
900X2000	φ 900	2000	3310	300	1-1/2 "	1 "
1000X2000	φ 1000	2000	3410	400	1-1/2 "	1 "
1100X2000	φ 1100	2000	3460	400	2 "	1-1/4 "
1200X2000	φ 1200	2000	3510	400	2 "	1-1/4 "
1400X2000	φ 1400	2000	3610	400	2 "	1-1/4 "
1500X2000	φ 1500	2000	3660	400	2 "	1-1/4 "

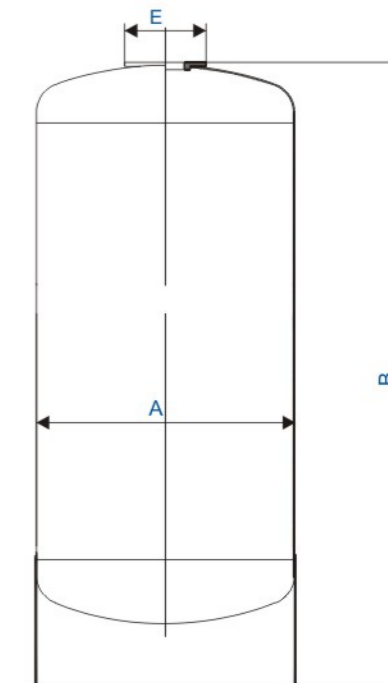


软化罐

1. 材质 SUS304, SUS316L;
2. 最大工作压力 100 Psi;
3. 表面抛光处理或亚光处理。

Softening Vessel

Material: SUS304, SUS316L;
Max working pressure 100 Psi;
Polished or sandblast external surface .



Standard specifications

Model	A	B	E
1052	φ 250	1320	2-1/2 "
1252	φ 300	1320	2-1/2 "
1465	φ 350	1650	2-1/2 "
1665	φ 400	1650	2-1/2 "
2065	φ 500	1650	4 "

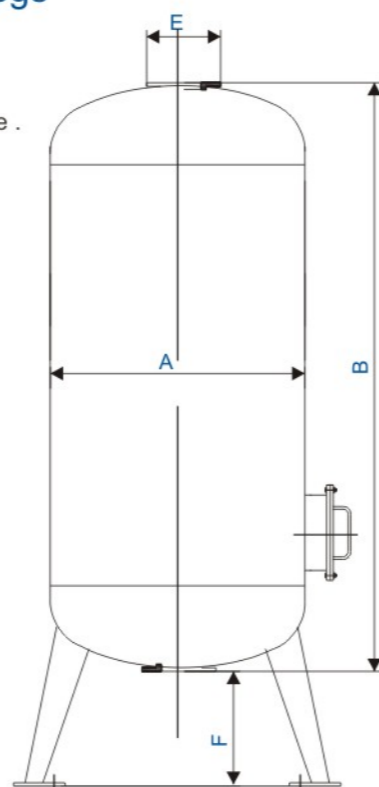


软化罐带腿

- 1. 材质 SUS304, SUS316L;
- 2. 最大工作压力 100 Psi;
- 3. 表面抛光处理或亚光处理。

Softening Vessel with legs

Material: SUS304, SUS316L;
Max working pressure 100 Psi;
Polished or sandblast external surface .



Standard specifications

Model	A	B	F	E
2265	φ 550	1650	250	4 "
2472	φ 600	1850	300	4 "
3072	φ 750	1850	300	4 "
3272	φ 800	1850	300	4 "
3672	φ 900	1850	300	4 "
4272	φ 1000	1850	300	4 "
4872	φ 1200	1850	350	4 "

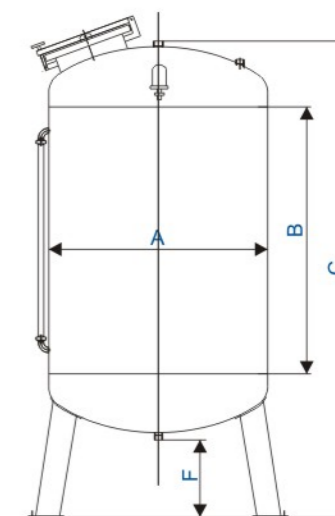


水箱

- 1. 材质 SUS304, SUS316L;
- 2. 最大工作压力 100 Psi;
- 3. 亚光处理。

Water Tank (Round Cap)

Material: SUS304, SUS316L;
Max working pressure 100 Psi;
Sandblast external surface.

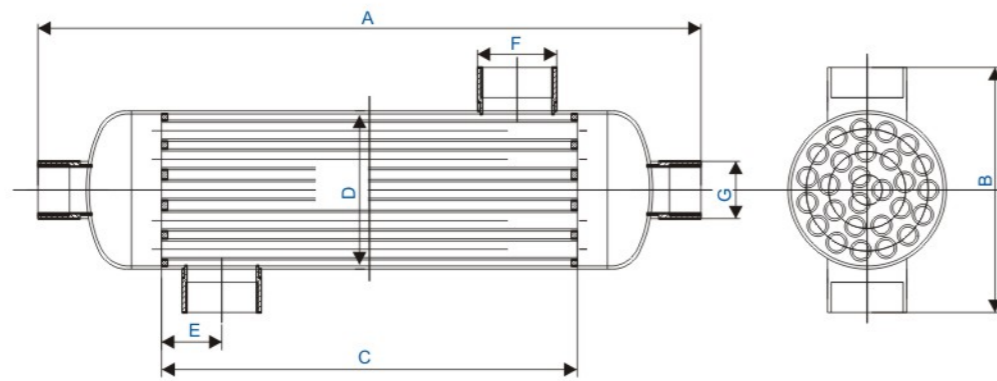


Standard specifications

Model	A (mm)	B (mm)	C (mm)	F (mm)	In/Out	Vent
0.3M ³	φ 550	1220	1830	250	3/4 "	3/4 "
0.5M ³	φ 700	1220	1910	250	3/4 "	3/4 "
1M ³	φ 1000	1220	2110	300	1 "	3/4 "
2M ³	φ 1300	1500	2540	300	1 "	3/4 "
3M ³	φ 1600	1500	2690	300	1-1/2 "	3/4 "
4M ³	φ 1600	2000	3190	300	1-1/2 "	3/4 "
5M ³	φ 1800	2000	3290	300	1-1/2 "	3/4 "
6M ³	φ 1900	2000	3390	350	1-1/2 "	3/4 "
8M ³	φ 2000	2500	3940	350	2 "	3/4 "
10M ³	φ 2200	2400	3940	350	2 "	3/4 "

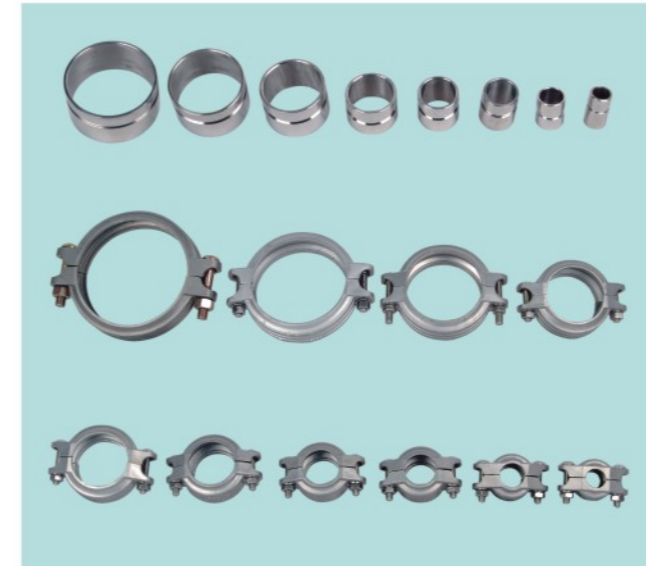


Heat exchanger 热交换器

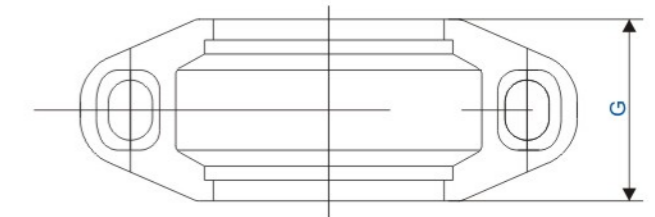
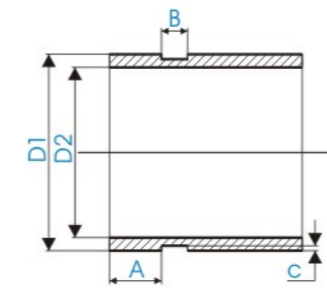
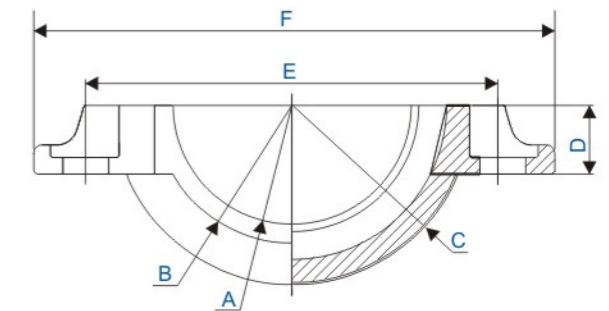


Standard specifications

Model	A	B	C	D	E	F	Drain
BN-HE-45	302	149	151	φ 89	38	1 "	3/4 "
BN-HE-70	403	149	249	φ 89	38	1 "	3/4 "
BN-HE-130	490	149	300	φ 89	38	1-1/2 "	3/4 "
BN-HE-180	442	165	276	φ 105	40	1-1/2 "	1 "
BN-HE-250	571	165	405	φ 105	40	1-1/2 "	1 "
BN-HE-300	700	165	534	φ 105	40	1-1/2 "	1 "
BN-HE-500	1166	165	1000	φ 105	57	2 "	1 "
BN-HE-1000	968	204	764	φ 133	57	2 "	2 "



Coupling 卡套



Standard specifications

Size	D1	D2	A	B	C
3/4 "	φ 26.7	φ 20.96	15.88	7.95	1.42
1 "	φ 33.4	φ 26.64	15.88	7.95	1.60
1-1/4 "	φ 42.2	φ 35.08	15.88	7.95	1.60
1-1/2 "	φ 48.3	φ 40.94	15.88	7.95	1.60
2 "	φ 60.3	φ 52.48	15.88	7.95	1.60
2-1/2 "	φ 73.0	φ 63.44	15.88	7.95	1.98
3 "	φ 88.9	φ 79.34	15.88	7.95	1.98
4 "	φ 114.3	φ 103.98	15.88	9.53	2.11
5 "	φ 141.3	φ 130.98	15.88	9.53	2.13
6 "	φ 168.3	φ 157.18	15.88	9.53	2.16
8 "	φ 219.1	φ 207.00	19.05	11.13	2.34

Standard specifications

Size	A	B	C	D	E	F	G
3/4 "	φ 24.3	φ 33.7	φ 51.7	16	64.7	89.3	44
1 "	φ 30.7	φ 40.1	φ 58.1	16	71.1	96.1	45
1-1/4 "	φ 39.5	φ 48.9	φ 66.9	16	79.9	104.9	45
1-1/2 "	φ 45.5	φ 54.9	φ 72.9	16	85.9	110.9	45
2 "	φ 57.6	φ 67.0	φ 85.0	16	98.0	123.0	46
2-1/2 "	φ 70.0	φ 78.0	φ 98.0	20	112.0	137.0	48
3 "	φ 85.4	φ 95.0	φ 115.4	20	134.0	163.0	48
4 "	φ 110.4	φ 120.0	φ 143.4	24	160.0	189.0	48
5 "	φ 137.4	φ 148.4	φ 170.44	26	186.0	219.0	48
6 "	φ 164.4	φ 174.4	φ 197.4	28	219.0	254.0	48